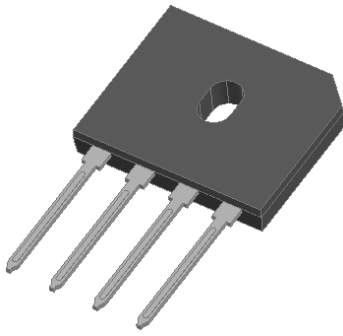


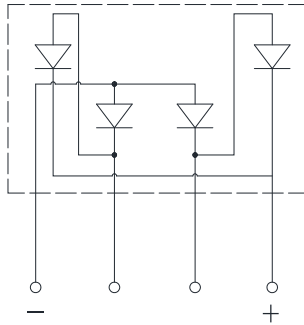
Fast Recovery Bridge Rectifier



Features

UL recognition, file #E230084
Glass passivated case

ti



Terminals: Tin plated leads, solderable per J-STD-002 and JESD22-B102

Polarity: As marked on body

Maximum Ratings (T_a=25 Unless otherwise specified)

PARAMETER	SYMBOL	UNIT	RGBU610	
Device marking code			RGBU610	
Maximum Repetitive Peak Reverse Voltage	VRRM	V	1000	
Maximum RMS Voltage	VRMS	V	700	
Maximum DC blocking Voltage	VDC	V	1000	
Average rectified output current @60Hz sine wave, R-load	With heatsink T _c =118	I _O	A	6.0
	Without heatsink T _a =25			2.8
Forward Surge Current (Non-repetitive) @60Hz Half-sine wave, 1 cycle, T _j =25	IFSM	A	150	
Forward Surge Current (Non-repetitive) @1ms, square wave, 1 cycle, T _j =25			300	
Current squared time @1ms t 8.3ms T _j =25, Rating of per diode	I ² t	A ² S	93.4	
Storage temperature	T _{stg}		-55 ~ +150	
Junction temperature	T _j		-55 ~ +150	
Dielectric strength @ Terminals to case, AC 1 minute	V _{dis}	KV	2.5	
Mounting torque @Recommend torque 5kg cm	Tor	kg cm	8	

Electrical Characteristics T_a=25 Unless otherwise specified

PARAMETER	SYMBOL	UNIT	TEST CONDITIONS	RGBU610
Maximum reverse recovery time	t _r	ns	I _f =0.5A, I _r =1.0A, I _r =0.25A	500
Maximum instantaneous forward voltage drop per diode	V _F	V	IFM=3.0A	1.3
Maximum DC reverse current at rated DC blocking voltage per diode	I _R	μA	T _j =25	5
			T _j =125	100
Typical junction capacitance	C _j	pF	Measured at 1MHz and Applied Reverse Voltage of 4.0 V.D.C	38

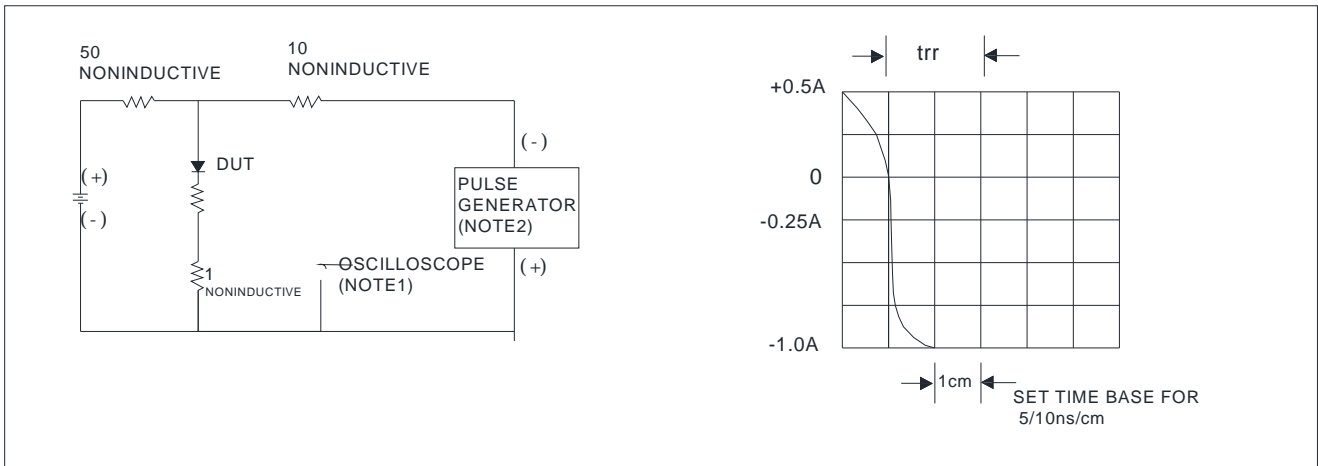


RGBU610

Thermal Characteristics $T_a=25$ Unless otherwise specified

PARAMETER	SYMBOL	UNIT	RGBU610.
-----------	--------	------	----------

FIG.5: Diagram of circuit and Testing wave form of reverse recovery time



Outline Dimensions

GBU		
Dim	Min	Max
A	21.80	22.30
B	18.30	18.80
C	17.50	18.00
D	3.30	3.90
E	7.10	7.50
F	5.50	5.90
G	1.91	2.54
H	2.06	2.54
I	1.02	1.27
J	4.83	5.33
K	3.30	3.56
L	2.40	2.66
M	0.46	0.56

