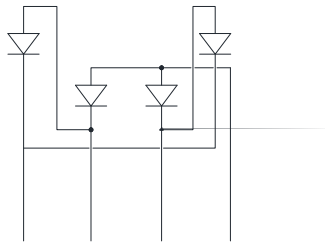


UL recognition, file #E230084  
 Glass passivated chip junction  
 Ideal for printed circuit boards  
 High surge current capability  
 Solder dip 275 °C max. 7 s, per JESD 22-B106

General purpose use in AC/DC bridge full wave  
 rectification for monitor, TV, printer, power supply, switching  
 mode power supply, adapter, audio equipment, and home  
 appliances applications.



: GBP

Molding compound meets UL 94 V-0 flammability  
 rating, RoHS-compliant

: Tin plated leads, solderable per  
 J-STD-002 and JESD22-B102

As marked on body

( $T_a=25$  Unless otherwise specified)

Device marking code				RGBP810
Maximum Repetitive Peak Reverse Voltage	VRRM	V		1000
Maximum RMS Voltage	VRMS	V		700
Maximum DC blocking Voltage	VDC	V		1000
Average rectified output current @60Hz sine wave, R-load	With heatsink $T_c=125$	IO	A	8.0
	Without heatsink $T_a=25$			1.8
Forward Surge Current (Non-repetitive) @60Hz Half-sine wave, 1 cycle, $T_j=25$	IFSM	A		170
Forward Surge Current (Non-repetitive) @1ms, square wave, 1 cycle, $T_j=25$				340
Current squared time @1ms $t<8.3ms$ $T_j=25$ Rating of per diode	$I^2t$	$A^2s$		120
Dielectric strength @ terminals to case, AC 1 minute	Vdis	KV		2
Storage temperature	$T_{stg}$			-55 ~ +150
Junction temperature	$T_j$			-55 ~ +150



$T_a=25$  Unless otherwise specified

Maximum reverse recovery time	$t_r$	ns	$I_F=0.5A, I_R=1.0A, I_{rr}=0.25A$	500
Maximum instantaneous forward voltage drop per diode	$V_F$	V	$I_{FM}=4.0A$	1.3
Maximum DC reverse current at rated DC blocking voltage per diode	IR	$\mu A$	$T_j=25$	5
			$T_j=125$	100
Typical junction capacitance	Cj	pF	Measured at 1MHz and Applied Reverse Voltage of 4.0 V.D.C	48

$T_a=25$  Unless otherwise specified

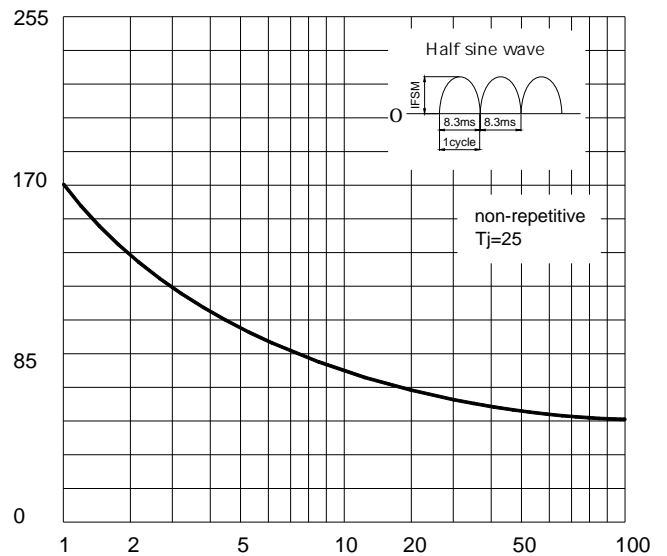
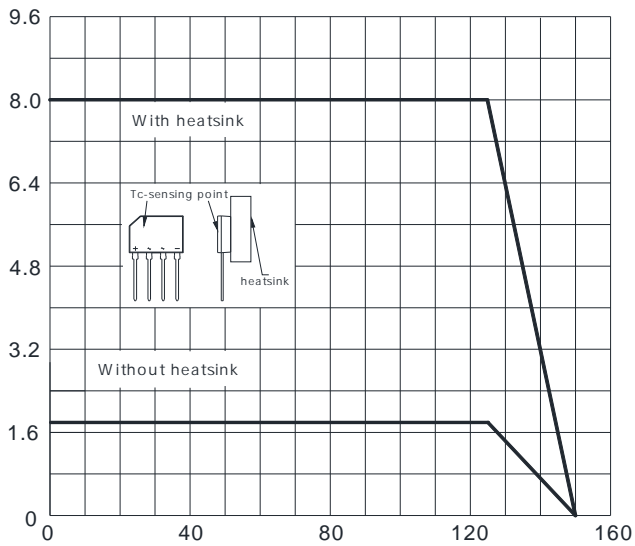
Thermal Resistance	Between junction and ambient, Without heatsink	R J-A	/W	45.0
	Between junction and case, With heatsink	R J-C		1.5

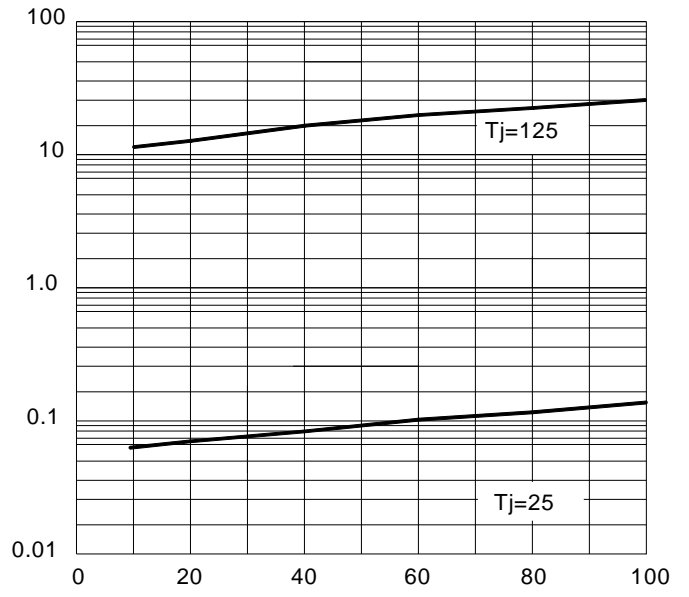
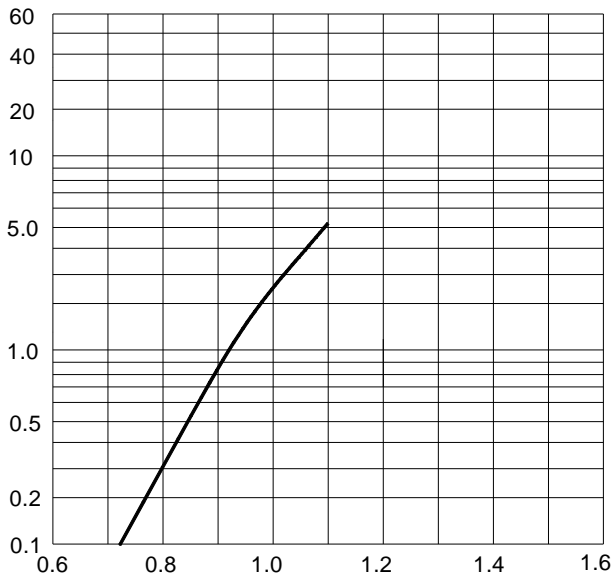
Note: Device mounted on 75mm x 45mm x 5.5mm Aluminum Plate Heatsink.

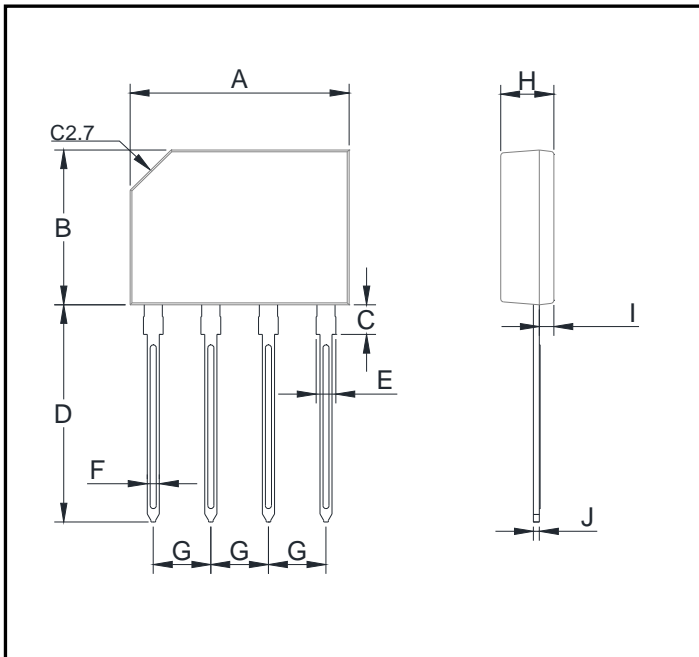
(Example)

	B1	Approximate 1.4	35	2100	4200	TUBE

(Typical)







Dim	Min	Max
A	14.25	14.75
B	10.10	10.60
C	1.80	2.20
D	14.25	14.73
E	1.22	1.42
F	0.76	0.86
G	3.70	3.90
H	3.35	3.65
I	0.80	1.10
J	0.35	0.55



---

The information presented in this document is for reference only. Yangzhou Yangjie Electronic Technology Co., Ltd. reserves the right to make changes without notice for the specification of the products displayed herein to improve reliability, function or design or otherwise.

The product listed herein is designed to be used with ordinary electronic equipment or devices, and not designed to be used with equipment or devices which require high level of reliability and the malfunction of which would directly endanger human life (such as medical instruments, transportation equipment, aerospace machinery, nuclear-reactor controllers, fuel controllers and other safety devices), Yangjie or anyone on its behalf, assumes no responsibility or liability for any damages resulting from such improper use of sale.

This publication supersedes & replaces all information previously supplied. For additional information, please visit our website [http:// www.21yangjie.com](http://www.21yangjie.com) , or consult your nearest Yangjie's sales office for further assistance.