



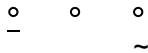
Super Fast Recovery Bridge Rectifiers

Features

- UL recognition, file #E230084
- Glass passivated chip junction
- Ideal for printed circuit boards
- High surge current capability
- Solder dip 275 °C max. 7 s, per JESD 22-B106

Typical Applications

General purpose use in AC/DC bridge full wave rectification for monitor, TV, printer, power supply, switching mode power supply, adapter, audio equipment, and home appliances applications.



Mechanical Data

Packag T

M V MVoltage

		RMS	V	420
Maximum DC blocking Voltage		V _{DC}	V	600
Average rectified output current 4 60Hz sine wave R-load	With heatsink T _c 1, 5	I _o	A	35
	Without heatsink T _a =25			3.0
Forward Surge Current (Non-repetitive) @60Hz Half-sine wave, 1 cycle, T _j =25	I _{FSM}	A	A	350
Forward Surge Current (Non-repetitive) @1ms, square wave, 1 cycle, T _j =25				700
Current squared time @1ms t 8.3ms T _j =25, Rating of per diode	I ² t	A ² S		506
Storage temperature	T _{stg}			-55 ~ +150
Junction temperature	T _j			-55 ~ +150
Dielectric strength @ Terminals to case, AC 1 minute	V _{dis}	KV		2.5
Mounting torque	Å	a	a	Û Å



EGBU3506

Electrical Characteristics $T_a=25$ Unless otherwise specified

PARAMETER	SYMBOL	UNIT	TEST CONDITIONS	EGBU3506
Maximum reverse recovery time	T_{RR}	ns	$I_F=0.5A, I_R=1.0A, I_{RR}=0.25A$	35
Maximum instantaneous forward voltage drop per diode	V_F	V	$I_{FM}=17.5A$	2.0
Maximum DC reverse current at rated DC blocking voltage per diode	I_R	μA	$T_j=25$	5
			$T_j=125$	100
Typical junction capacitance	C_j	pF	Measured at 1MHz and Applied Reverse Voltage of 4.0 V.D.C	175

Thermal Characteristics $T_a=25$ Unless otherwise specified

PARAMETER		SYMBOL	UNIT	EGBU3506
Thermal Resistance	Between junction and ambient, Without heatsink	R_{J-A}	/W	18.0
	Between junction and case, With heatsink	R_{J-C}		1.5

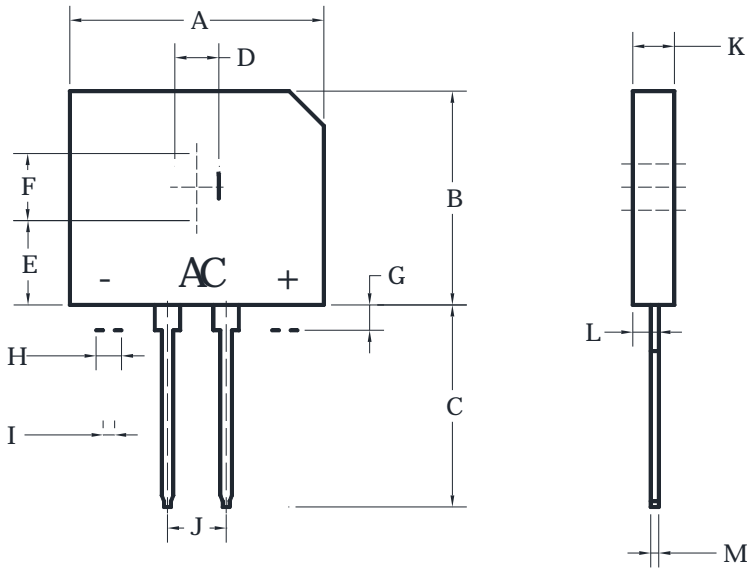
Note: Device mounted on 75mm x 45mm x 5.5mm Aluminum Plate Heatsink.

Ordering Information (Example)

PREFERRED P/N	PACKING CODE	UNIT WEIGHT(g)	MINIMUM PACKAGE(pcs)	INNER BOX QUANTITY(pcs)	OUTER CARTON QUANTITY(pcs)	DELIVERY MODE
---------------	--------------	----------------	----------------------	-------------------------	----------------------------	---------------

EGBU3506

Outline Dimensions



GBU		
Dim	Min	Max
A	21.80	22.30
B	18.30	18.80
C	17.50	18.00
D	3.30	3.90
E	7.10	7.50
F	5.50	5.90
G	1.91	2.54
H	2.06	2.54
I	1.02	1.27
J	4.83	5.33
K	3.30	3.56
L	2.40	2.66
M	0.46	0.56

Dimensions in millimeters



EGBU3506

Disclaimer

The information presented in this document is for reference only. Yangzhou Yangjie Electronic Technology Co., Ltd. reserves the right to make changes without notice for the specification of the products displayed herein to improve reliability, function or design or otherwise.

The product listed herein is designed to be used with ordinary electronic equipment or devices, and not designed to be used with