

6 F K R W W N \ ' L R G H V

) HDWXUHV
 " +LJK IUHTXHQF\ RSHUDWLRQ
 " +LJK SXULW\ KLJK WHPSHUDWXUH HSR[\ HQ
 HQKDQFHG PHFKDQDQDOPRWWXUWKUHVLVWD
 " *XDUG ULQJ IRU HQDQV FGGUORJHGWHPUP UH
 " 6ROGHU GLS f & PD[V SHU -(6' %

7\SLFDO \$SSOLFDWLRQV
 7\SLFDO DSSOLFDWLRQV DUH LQ VZLWFKLQJ S
 IUHHZKHHOLQJ GLRGHV DQG UHYHUVH EDWW

0HFKDQLFDO 'DWD
 " 3DFNDJH2 \$%
 0ROGLQJ FRPSRQG PHHWDPPDELOLW\
 UDWLQJ 5R+6 FRPSOLDQW
 " 7HUPLQDQVSODWHG OHDGV VROGHUDEOH S
 DQG -(6' %
 " 3RODU\$WPDUNHG

v0D[LPXP 5DW DQJV 8QOHVV RWKHU ALVH VSHFLILHG

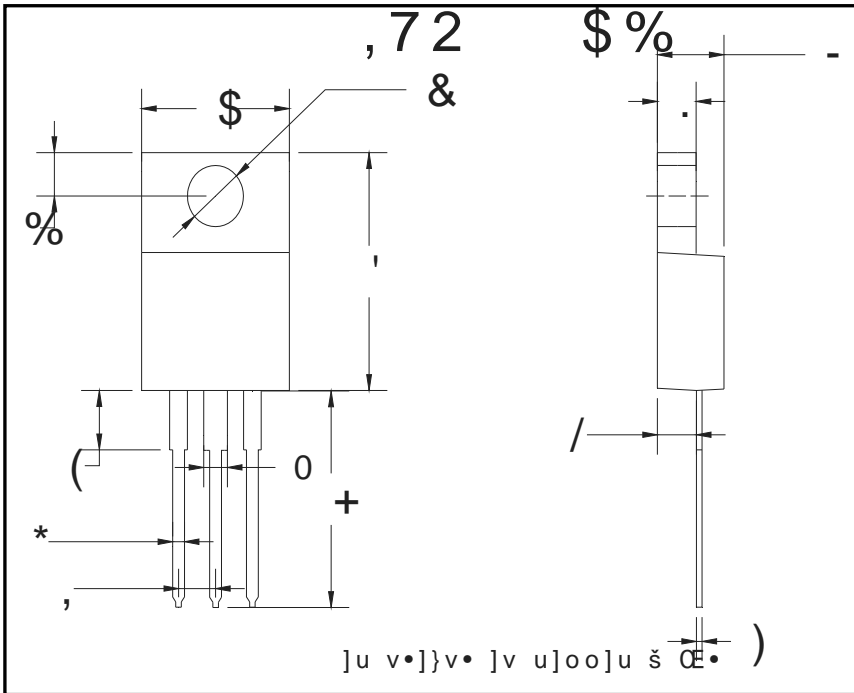
3\$5\$0(7(5	6<0%2/	81,7	0%5)&76
'HYLFH PDUNLQJ FRGH			0%5)&76
5HSHWLWLYH 3HDN 5HYHUVH 950WDJH 9			
\$YHUDJH 5HFWLILHG 2XWSXW &XUUHQW # +] VLQH ZDYH 5 ORDG 7			
6XUJH 1RQ UHSHWLWLYH)RUZDUG &XUUHQW # +]KDOI VLQH ZDYH - F\FOH 760			
&XUUHQW 6TXDUHG 7LPH # PV"W" PV 7M - È ,W \$ V			
6WRUDJH 7HPSHUDWXUH	7VWJ	-	a
-XQFWLRQ 7HPSHUDWXUH	7M	-	a

0D[LPXP LQVWDQW DQHRXV IRUZDUG YROWDJH GURS SHU GLRGH \$			
0D[LPXP '& UHYHUVH 500UHQW DW UDWHG '& EORFNLQJ YROWDJH SHU GLRGH ,550		950 9550 7D - 950 9550 7D -	

1RWH 3XOVH WHVW X6 SXOVH ZLGK GXW\ F\FOH

1RWH 3XOVH WHVW SXOVH ZLGK P6

v2XWOLQH 'LPHQVLRQV



	, 7 2	\$ %
'LP	0LQ	0D[
\$		
%		
&		
'		
(
)		
*		
+		
,		
-		
.		
/		
0		

'LVFODLPHU

7KH LQIRUPDWLRQ VSHFLDOLVHG LQ WKLV DOKUMENT IS FOR THE USE OF THE PERSONNEL OF THE
ULJKW WR PDNLWKRDXQ KRWVLSHFIRU WSLRQG RFWV GLVSPDURYGHKUHUGLDEWGLWV L JQQ F
RU RWKHU ZLVH

7KH SURGXFWOLVGHG KJHGH WR EHKOHGWZLRVK R H G K Q S P H Q W RU GHYLFH W K D Q G Q
HTXLSPHQW RU GHYLFHV ZKLFK UHTXLW KHKE DIO IZQ VWL ZR X D H C G D E H C H W K D P K Q D O L I H
PHGLFDO LQVWUXPHSHU W H D W L R Q H U T R X L S E P H Q X F O I H D U U H D F W R H U F F R Q W U R R O C H W V D Q
GHYLFHV <DQJMLHVRV EHKRQH BQVXRLOV VARRWHO SBRQLQIEWHVR O V D I Q J G I D R P J M F K L P
R I V D O H

7KLV SXEOLFDFWRQ SVXSHUW DGDVLQURUPDXLSRQLSGHYLR XDG GLWLRQDO LQWRUPDWLR
KWVZ Z \DQJMLHRFRPRQVXOW \RXU QH DUH VW <DQJMLVH V D Q V D I H O H V R I I L F H I R U I X U W