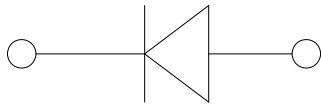
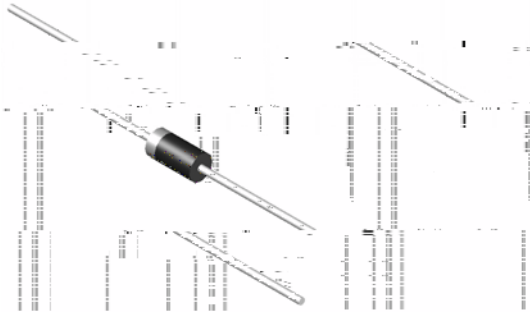


General Purpose Rectifier



Features

- High efficiency
- High current capability
- High reliability
- High surge current capability
- Low power loss
- Glass passivated chip junction
- Solder dip 275 °C max. 7 s, per JESD 22-B106

Mechanical Data

Package: DO-204AL(DO-41)

Molding compound meets UL 94 V-0 flammability rating,
RoHS-compliant

Terminals: Tin plated leads, solderable per J-STD-002 and JESD22-B102

Polarity: Color band denotes cathode end

Maximum Ratings (Ta=25 Unless otherwise specified)

PARAMETER	SYMBOL	UNIT	BY133G
Device marking code			BY133G
Maximum Repetitive Peak Reverse Voltage	VRRM	V	1300
Maximum RMS Voltage	VRMS	V	910
Maximum DC blocking Voltage	VDC	V	1300
Average Forward Current @60Hz sine wave, Resistance load, Ta =80	IF(AV)	A	1.0
Forward Surge Current (Non-repetitive) @60Hz Half-sine wave, 1 cycle, Tj=25	IFSM	A	30
Forward Surge Current (Non-repetitive) @1ms, square wave, 1 cycle, Tj=25			60
Current squared time @1ms t8.3 ms Tj=25 Rating of per diode	I ² t	A ² s	3.735
Typical junction capacitance PARAMETER			

	SYMBOL	UNIT	TEST CONDITIONS	BY133G
Maximum instantaneous forward voltage drop per diode	VF	V	IFM=1.0A	1.1
Maximum DC reverse current at rated DC blocking voltage per diode	IR	μA	Tj=25	2.5
			Tj=125	100

% < *

v7KHUPDO &KDUDÄ7HUL800HVV RWKHUÄLVH VSHFLILHG

3\$5\$0(7(5	6<0%2/	81,7	% < *
-------------	--------	------	-------



Disclaimer

The information presented in this document is for reference only. Yangzhou Yangjie Electronic Technology Co., Ltd. reserves the y