



**30SQ045**

---

## **Schottky Diodes**

**Features**

**Typical Applications**

**Mechanical Data**

**Package**

**Terminals**

**Polarity**

---



30SQ045

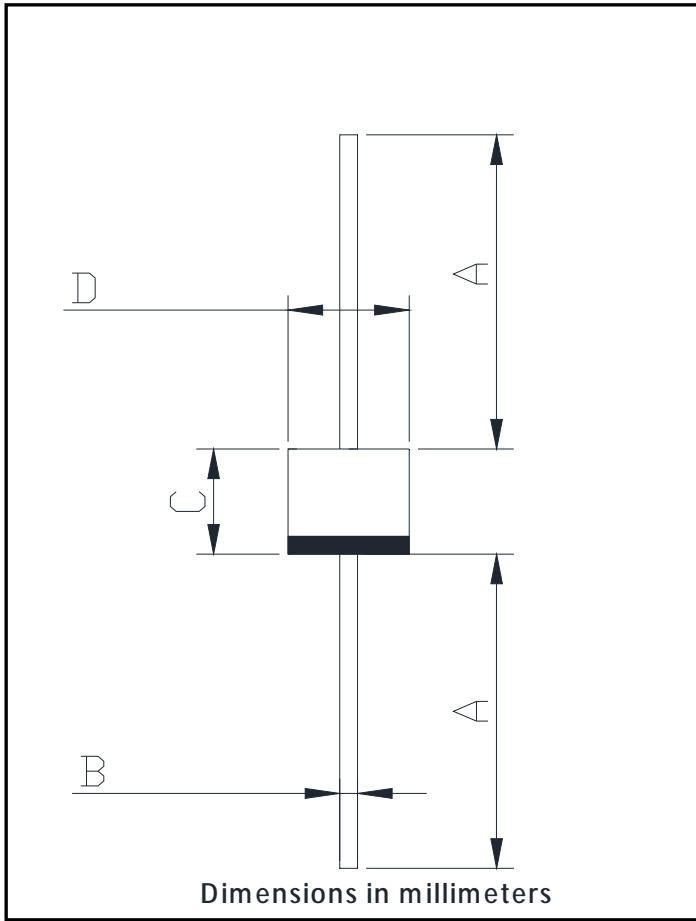
---

**Ordering Information**

PREFERED P/N	UNIT WEIGHT(g)	MINIIMUM PACKAGE(pcs)	INNER BOX QUANTITY(pcs)	OUTER CARTON QUANTITY(pcs)	DELIVERY MODE
--------------	----------------	-----------------------	-------------------------	----------------------------	---------------

---

Outline Dimensions



R-6		



**30SQ045**

---

**Disclaimer**

---