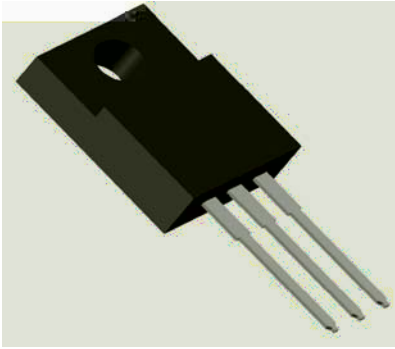




8OWUD)DVW 5HFRYHU\ 'LRGHV \$



)HDWXUHV
 P€ •Dœ" \$GRSW)5(' FKLS
 " /RZ IRUZDUG 9ROWDJH GURS
 ")DVW UHYHUVH UHFRYHU\ WLPH
 " +LJK IUHTXHQF\ RSHUDWLRQ
 " +LJK SXULW\ KLJK WHPSHUDWXUH HSR[\ HC
 HQKDQFHG PHFKDQDDEOPRWUMQUWKUHVLVWDC
 " *XDUG ULQJ IRU HQDVFHQGUORJHGHGWHUP U

7\SLFDO \$SSOLFDWLRQV
 7\SLFDO DSSOLFDWLRQV DUH LQ VZLWFKLQJ
 IUHHZKHHOLQJ GLRGHV DQG UHYHUVH EDW

0HFKDQLFDO 'DWD
 " 3DFNDJH2 \$%
 0ROGLQJ FRPSRQG PHHWDVPPDELOLW\
 UDWLQJ 5R+6 FRPSOLDQW
 " 7HUPLQDQVSODWHG OHDGV VROGHUDEOH S
 DQG -(6' %
 3RODU\$WPDUNHG "

v0D[LPXP 5DWVQJVV8QOHVV RWKHU\LVH VSHFLILHG

3\$5\$0(7(5	6<0%2	81,7	085)&7
'HYLFH PDUNLQJ FRGH			085)&7
5HSHWLWLYH 3HDN 5HYHUVH \$ROWDJH			
\$YHUDJH 5HFWLILHG 2XWSXW &XUHQW # +] VLQH ZDYH F5)ORDG 7			
6XUJH 1RQ UHSHWLWLYH)RUZDUG &XUHQW # +]KDOI VLQH ZDYH - F\FOH)607			
&XUHQW 6TXDUHG 7LPH # 7M - È	PV"W" ,W	PV \$V	
6WRUDJH 7HPSHUDWXUH	7VWJ	-	a
-XQFWLRQ 7HPSHUDWXUH	7M	-	a
7\SLFDO -XQFWLRQ FDSDFLWDQFH #9			0+]
0RXQLQJ WRUTXH #UHFRPPHQGÖWRJUHFX	7RU	NJ FP	



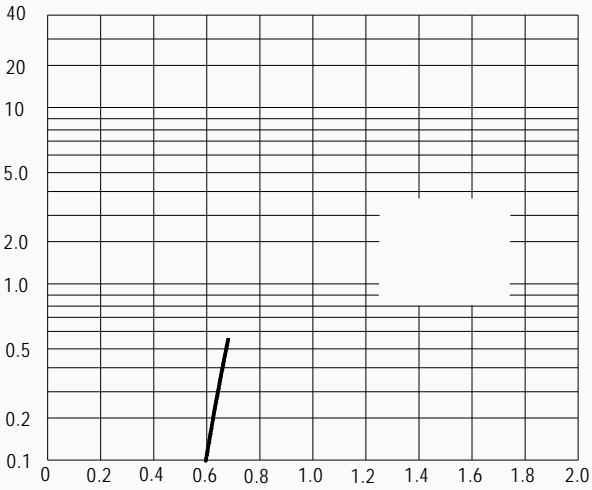
v(OHFWULFDO &KDUDFWHULVWLFV



\$

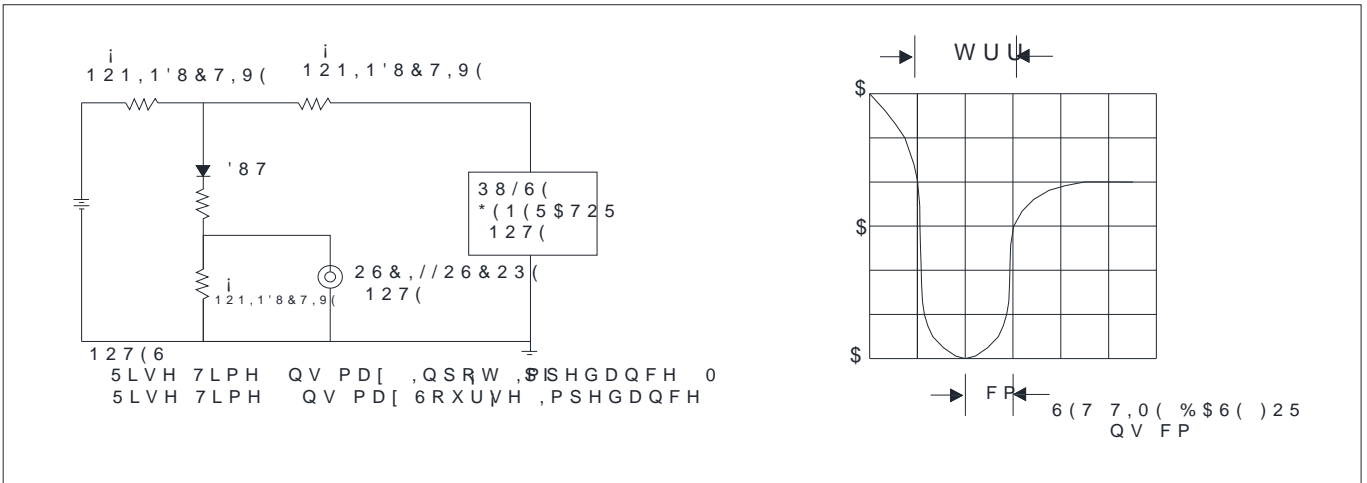
, Q V W D Q W D Q H D R X G V & X W I Z H Q W

), *)RUZDUG 9ROWDJH



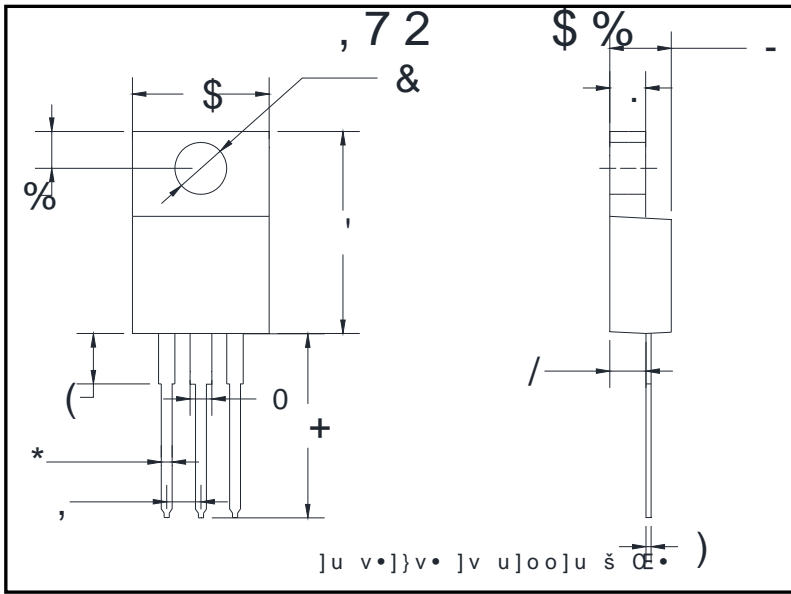
, Q V W D Q W D Q H R X V)RUZDUG 9ROWDJH 9

), * 'LDJUDP RI FLUFXLW DQG 7HVWLQJ YZDYMURHP RI UHYHUVH UHF





v2XWOLQH 'LPHQVLRQV



	,72	\$%
'LP	0LQ	0D
\$		
%		
&		
'		
(
)		
*		
+		
,		
.		
/		
0		



085) & 7

'LVFODLPHU

7KH LQIRUPDWLRQ V GHVFXQWV LQ WKLV LQJHQHJXHQFHDURQDZHF(QHFFOVRURQLF /VHG UHV
ULJKW WR PDNLWFKRDXW LQVLSH FIIWL RYVSLRFG R FWWV GLV SFDARIGHKHUHQILDEWGLV L JQQ F
RU RWKHU ZLVH

7KH SURGXFWV LQVSHQHG RYBREWREHVXVH LQ DQ R(LGHGt @ ZAGPVP D ED PDWLRQPSV €