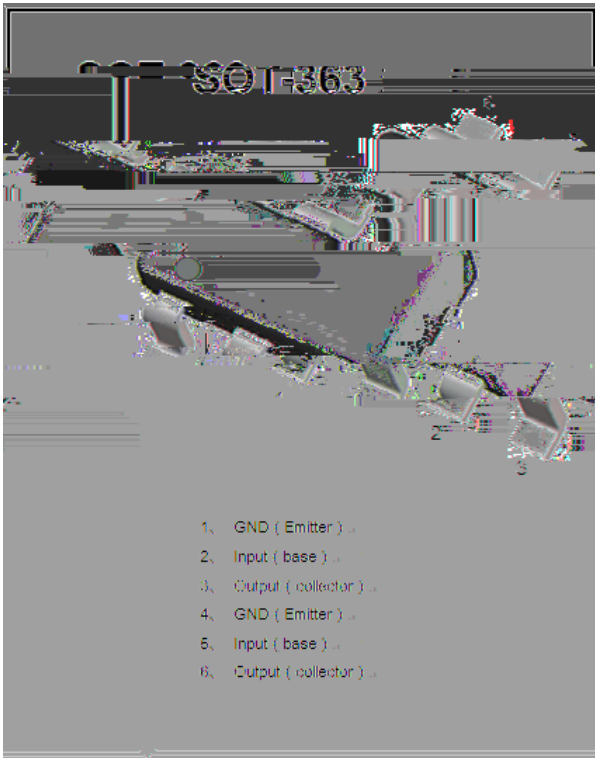


Digital Transistors (Built-in Resistors)



Features

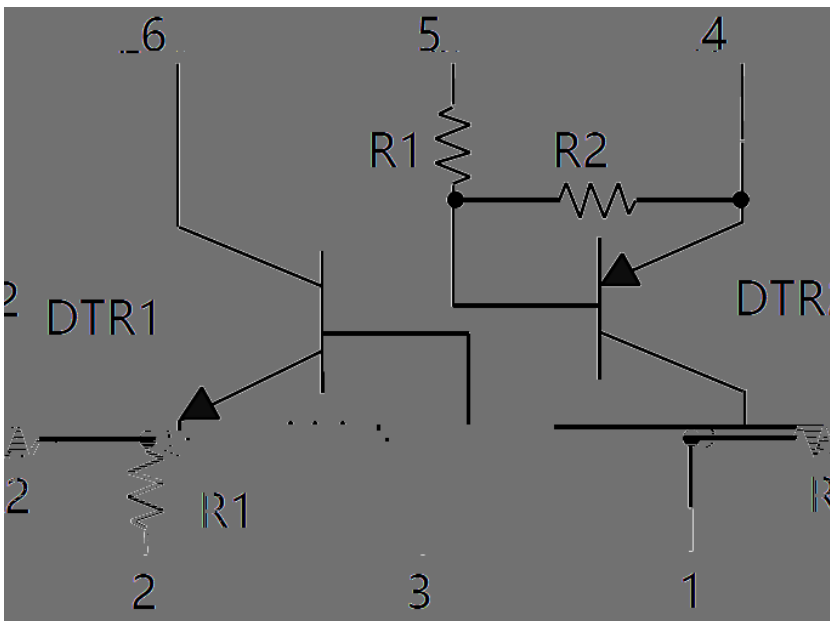
Mechanical Data

Package:

Terminals:

Marking:

Equivalent circuit





UMD12N

Maximum Ratings DTR1-NPN

Å

ITEM	SYMBOL	UNIT	CONDITIONS	VALUE
Ä Ä				

DTR2-PNP

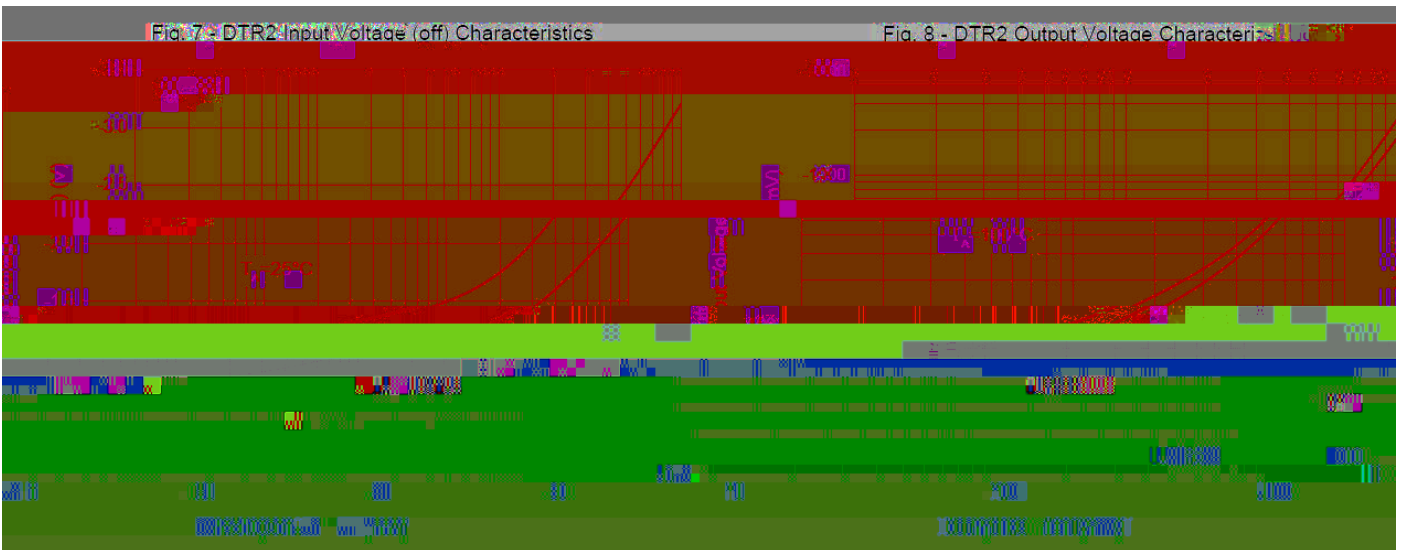
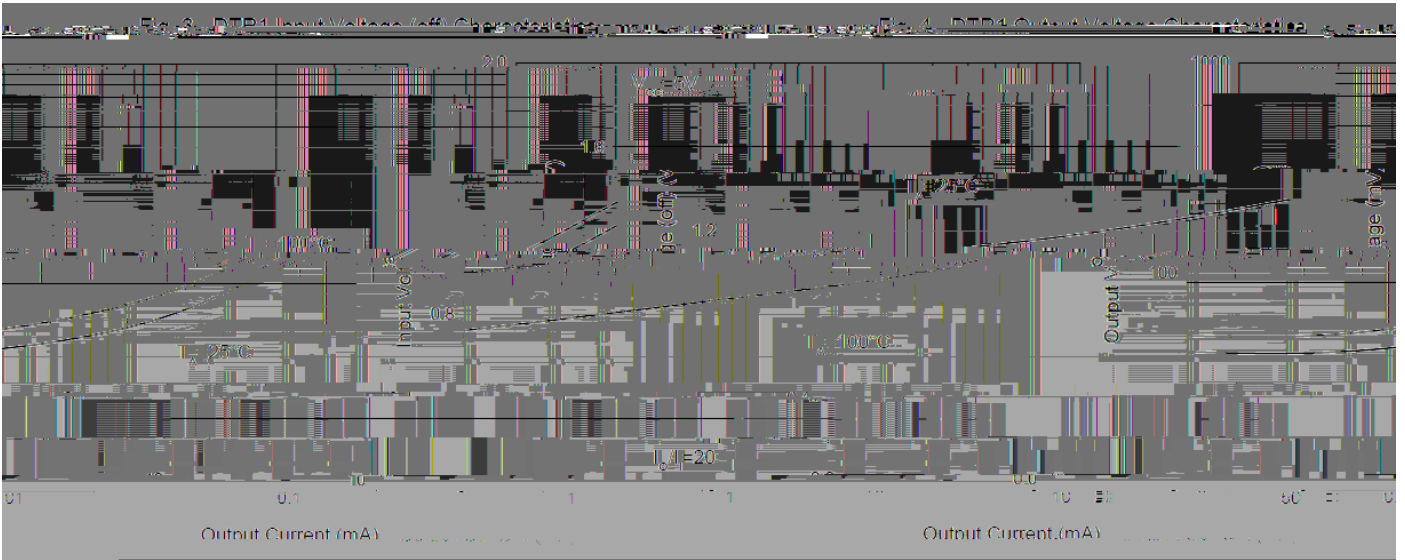
ITEM	SYMBOL	UNIT	CONDITIONS	VALUE



UMD12N

DTR2-PNP

ITEM	SYMBOL	UNIT	CONDITIONS	MIN	TYP	MAX

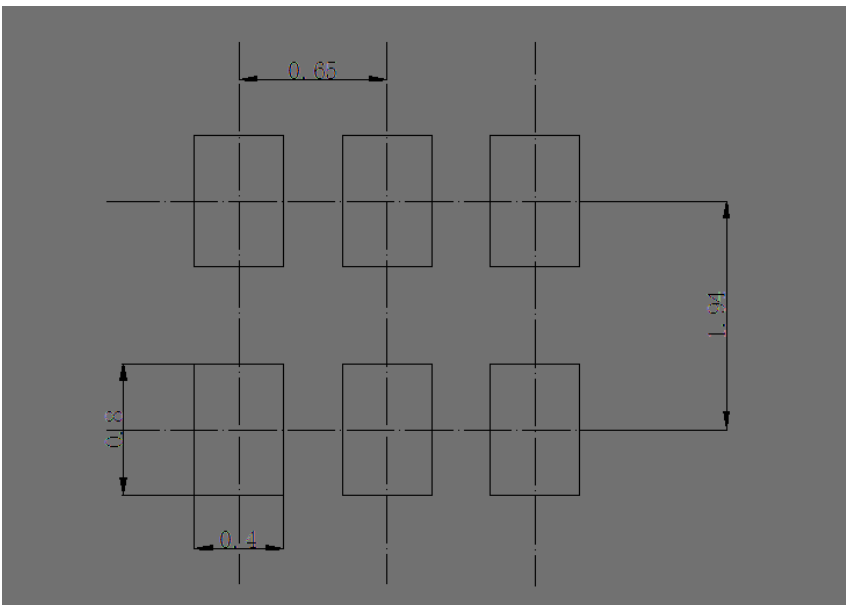




SOT-363 Package Outline Dimensions



SOT-363 Suggested Pad Layout



Ö

Disclaimer
