



## Dual PNP Digital Transistors (Built-in Resistors)

### Features

Epoxy meets UL-94 V-0 flammability rating

Built-in bias resistors enable the configuration of an inverter circuit without connecting external input resistors

Surface mount package ideally Suited for Automatic Insertion

### Mechanical Data

**Package:** SOT-363

**Terminals:** Tin plated leads, solderable per J-STD-002 and JESD22-B102

**Marking:**B2

Equivalent circuit



## UMB2N

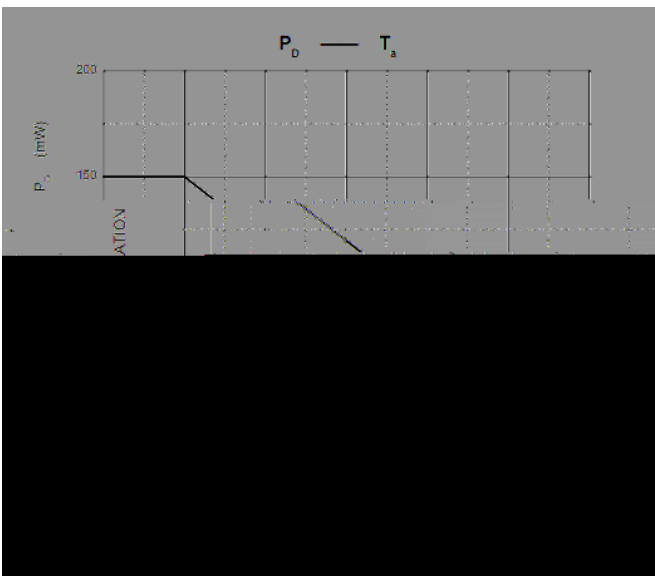
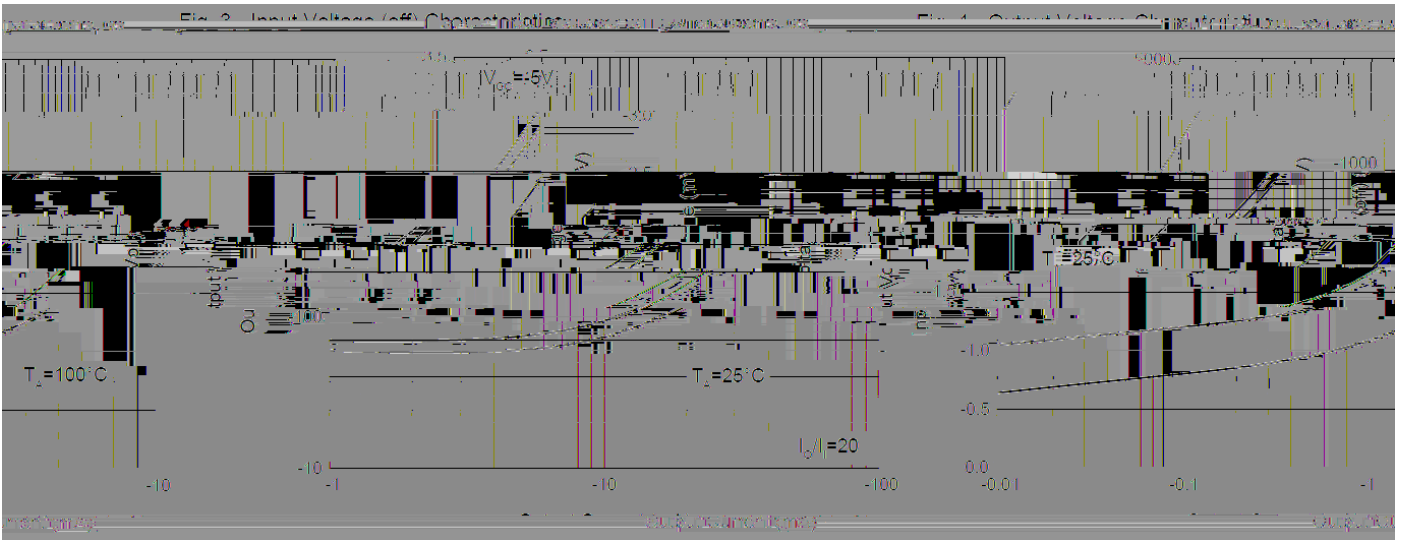
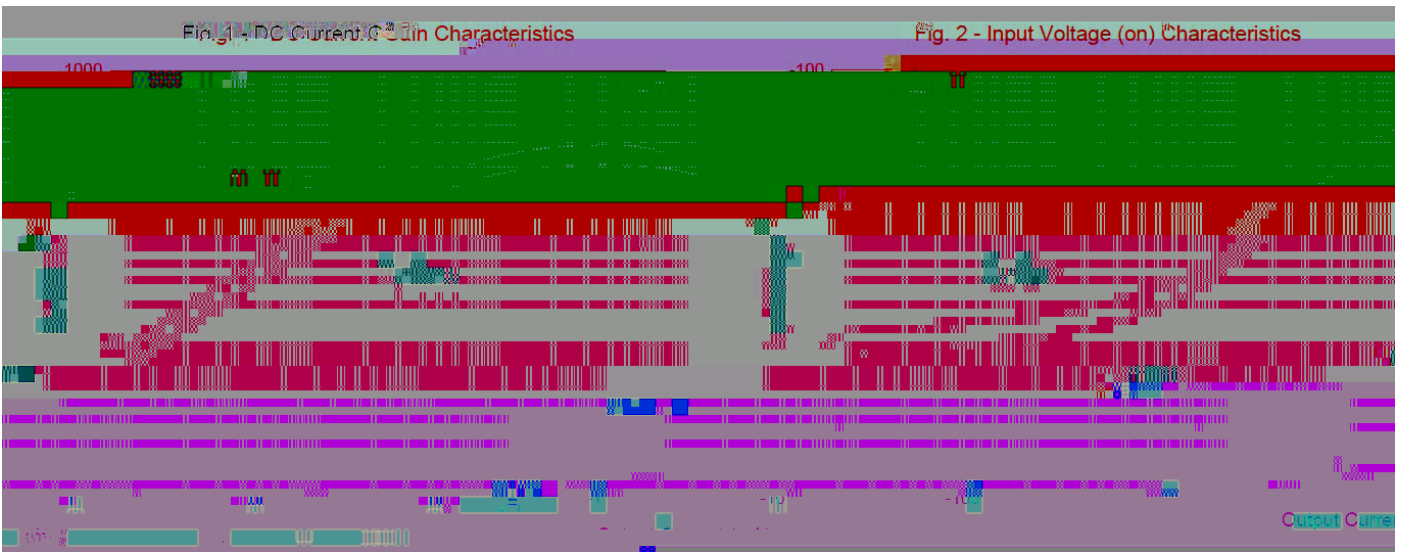
### Maximum Ratings (Ta=25 Unless otherwise specified)

ITEM	SYMBOL	UNIT	CONDITIONS	VALUE
Supply Voltage	V <sub>CC</sub>	V		-50
Input Voltage	V <sub>IN</sub>	V		-40 to +10
Output Current	I <sub>O</sub>	mA		-100
Power Dissipation	P <sub>D</sub>	mW		150
Junction Temperature	T <sub>J</sub>			150
Storage Temperature	T <sub>STG</sub>			-55 to +150

### Electrical Characteristics (Ta=25)

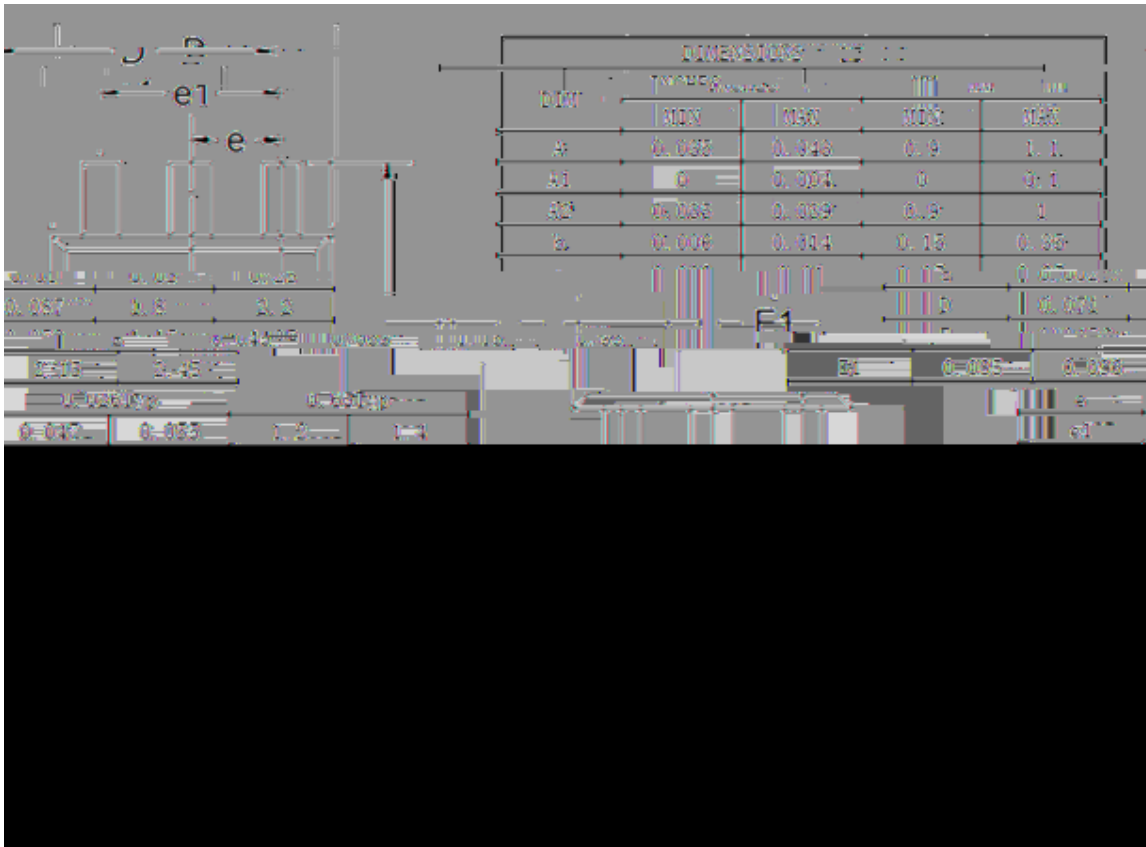


Characteristics (Typical)

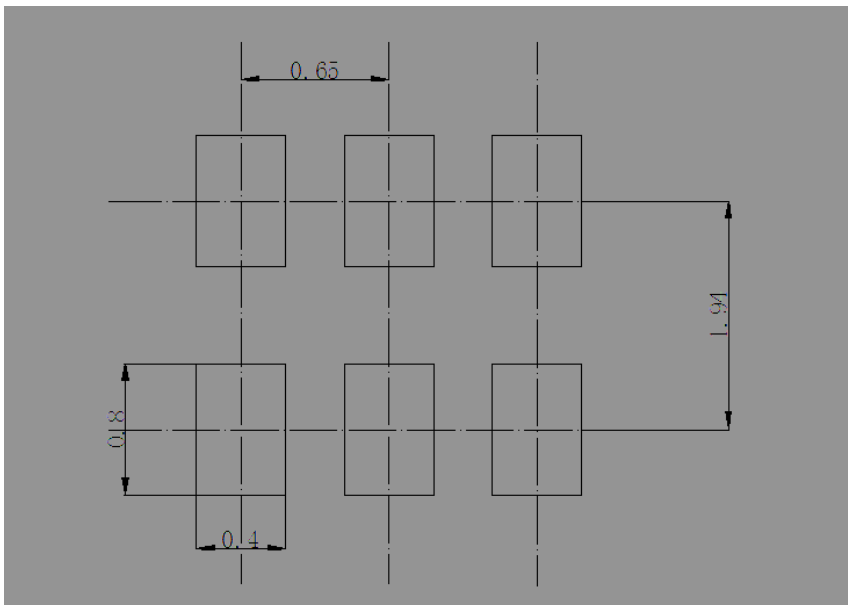




SOT-363 Package Outline Dimensions



SOT-363 Suggested Pad Layout





## Disclaimer

The information presented in this document is for reference only. Yangzhou Yangjie Electronic Technology Co., Ltd. reserves the right to make changes without notice for the specification of the products displayed herein to improve reliability, function or design or otherwise.

The product listed herein is designed to be used with ordinary electronic equipment or devices, and not designed to be used with equipment or devices which require high level of reliability and the malfunction of which would directly endanger human life (such as medical instruments, transportation equipment, aerospace machinery, nuclear-reactor controllers, fuel controllers and other safety devices), Yangjie or anyone on its behalf, assumes no responsibility or liability for any damages resulting from such improper use of sale.

This publication supersedes & replaces all information previously supplied. For additional information, please visit our website [http:// www.21yangjie.com](http://www.21yangjie.com) , or consult your nearest Yangjie's sales office for further assistance.