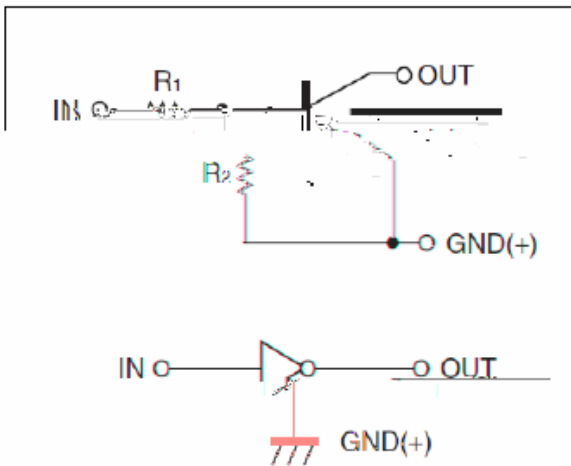


Epoxy meets UL-94 V-0 flammability rating  
 Moisture Sensitivity Level 1  
 Built-in bias resistors enable the configuration of an inverter circuit without connecting external input resistors  
 Surface mount package ideally Suited for Automatic Insertion  
 PNP

: SOT-23-3L  
 : Tin plated leads, solderable per J-STD-002 and JESD22-B102  
 16



(Ta=25 Unless otherwise specified)

Supply Voltage	VCC	V	-50
Input Voltage	VIN	V	-40 to +10
Output Current	IO	mA	-100
Power Dissipation	PD	mW	200
Thermal Resistance, Junction to Ambient	R <sub>thJA</sub>	/W	625
Junction Temperature	T <sub>j</sub>		150
Storage Temperature	T <sub>stg</sub>		-55 to +150

'7\$ (. \$

v(OHFWULFDO & KDUDFWXIDQVWLFVFRWKHUZLVH VSHFLILHG

,7(0	6<0%2/	81,7	&21',7,216	0,1	7<3	0\$;
,QSW YROWDJH	9,R11	9	9&& 9 ,F X\$			
	9,RQ	9	92 9 ,F P\$			
2XWSXW YROWDJH	RQ	9R	,R ,L P\$ P\$			
,QSW FXUUHQW		,,	P\$ 9, 9			
2XWSXW FXUUHQW	2 R11	,X\$	9&& 9 9L			
'& FXUUHQW JDLQ		*,	9R 9 ,R	P\$		





(Typical)

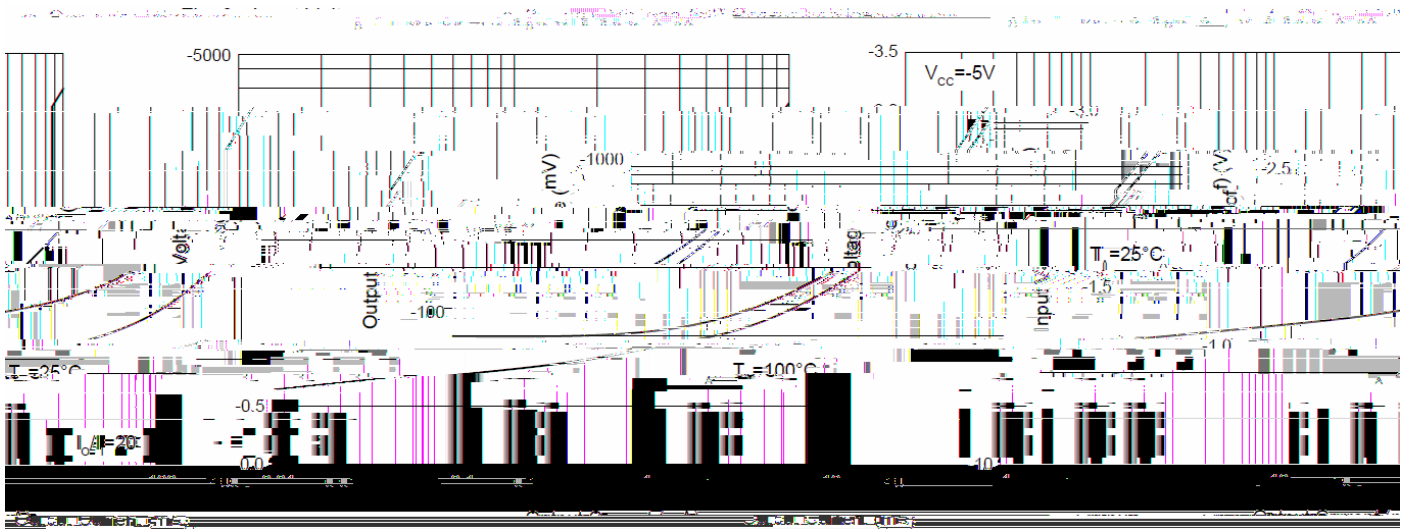
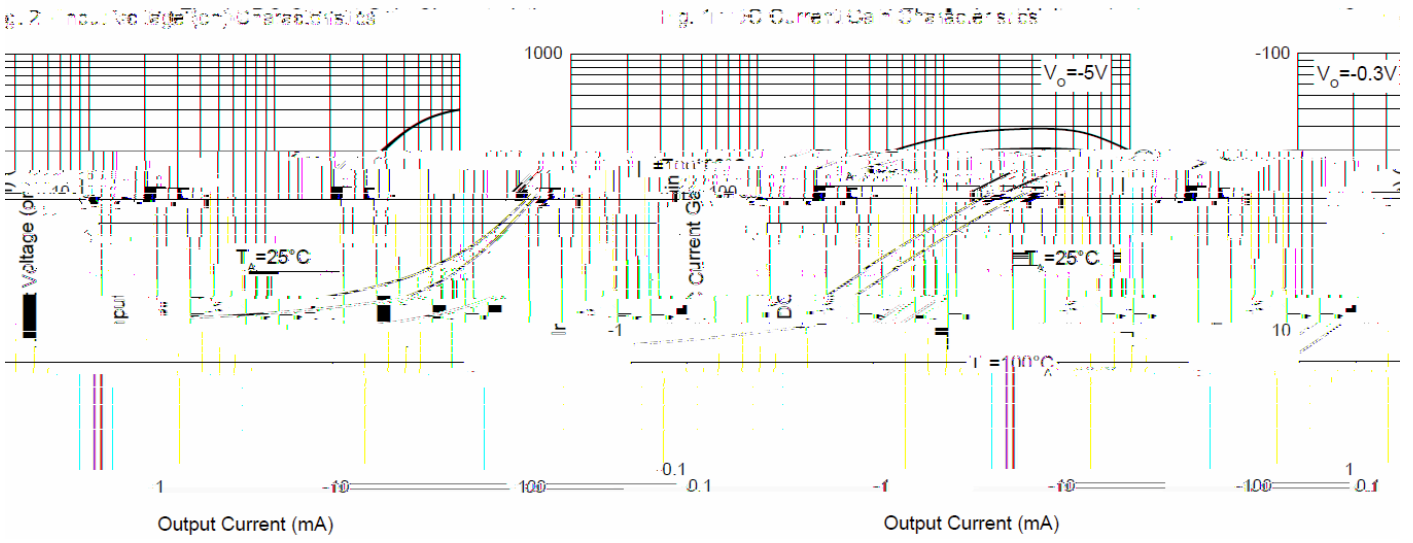
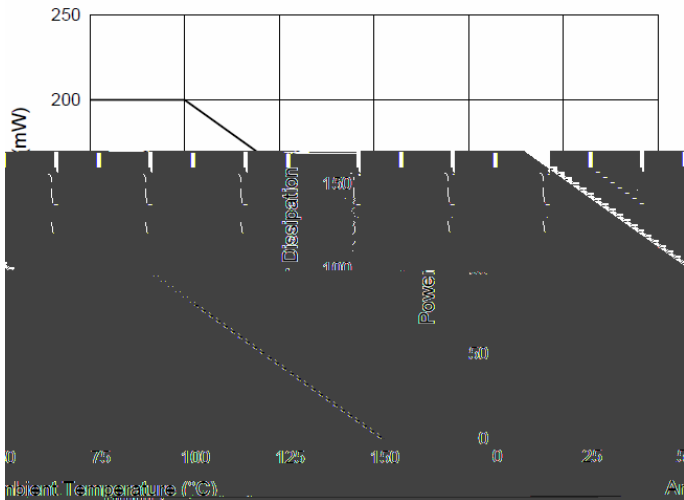
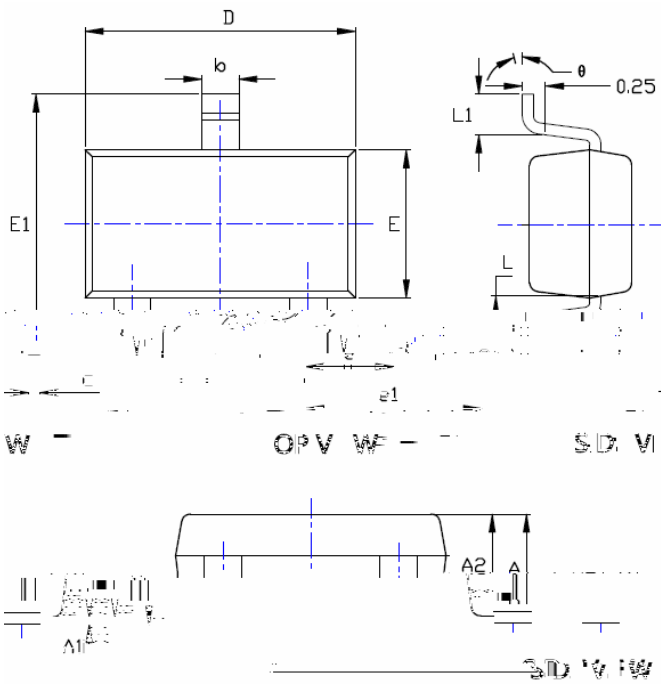
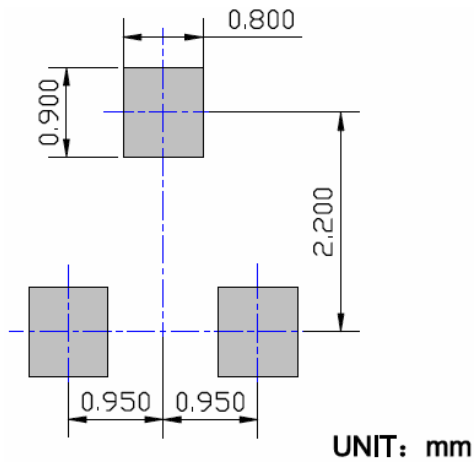


Fig. 5 - Power Derating Curve





SYMBOL	DIMENSIONS			
	INCHES		Millimeter	
	MIN.	MAX.	MIN.	MAX.
A	0.041	0.049	1.050	1.250
A1	0.000	0.008	0.000	0.200
A2	0.041	0.045	1.050	1.150
1	0.059	0.067	1.500	1.700
e	0.037 YP		0.950 YP	
e1	0.071	0.079	1.800	2.000
l	0.024Rl		0.600Rl	
l	0.012	0.024	0.300	0.600
$\phi$	0°	8°	0°	8°





---

The information presented in this document is for reference only. Yangzhou Yangjie Electronic Technology Co., Ltd. reserves the right to make changes without notice for the specification of the products displayed herein to improve reliability, function or design or otherwise.

The product listed herein is designed to be used with ordinary electronic equipment or devices, and not designed to be used with equipment or devices which require high level of reliability and the malfunction of which would directly endanger human life (such as medical instruments, transportation equipment, aerospace machinery, nuclear-reactor controllers, fuel controllers and other safety devices), Yangjie or anyone on its behalf, assumes no responsibility.