

Dual NPN Small Signal Transistor



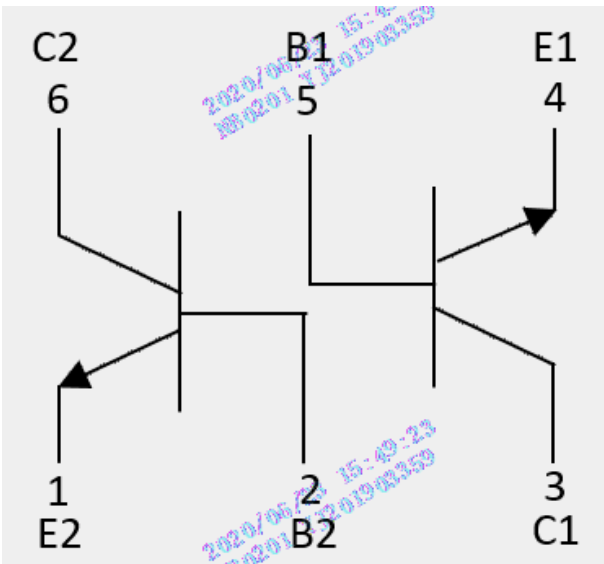
Features

- Epoxy meets UL-94 V-0 flammability rating
- Surface mount package ideally Suited for Automatic Insertion
- NPN

Mechanical Data

- Package:** SOT-363
- Terminals:** Tin plated leads, solderable per J-STD-002 and JESD22-B102
- Marking:** X1

Equivalent circuit





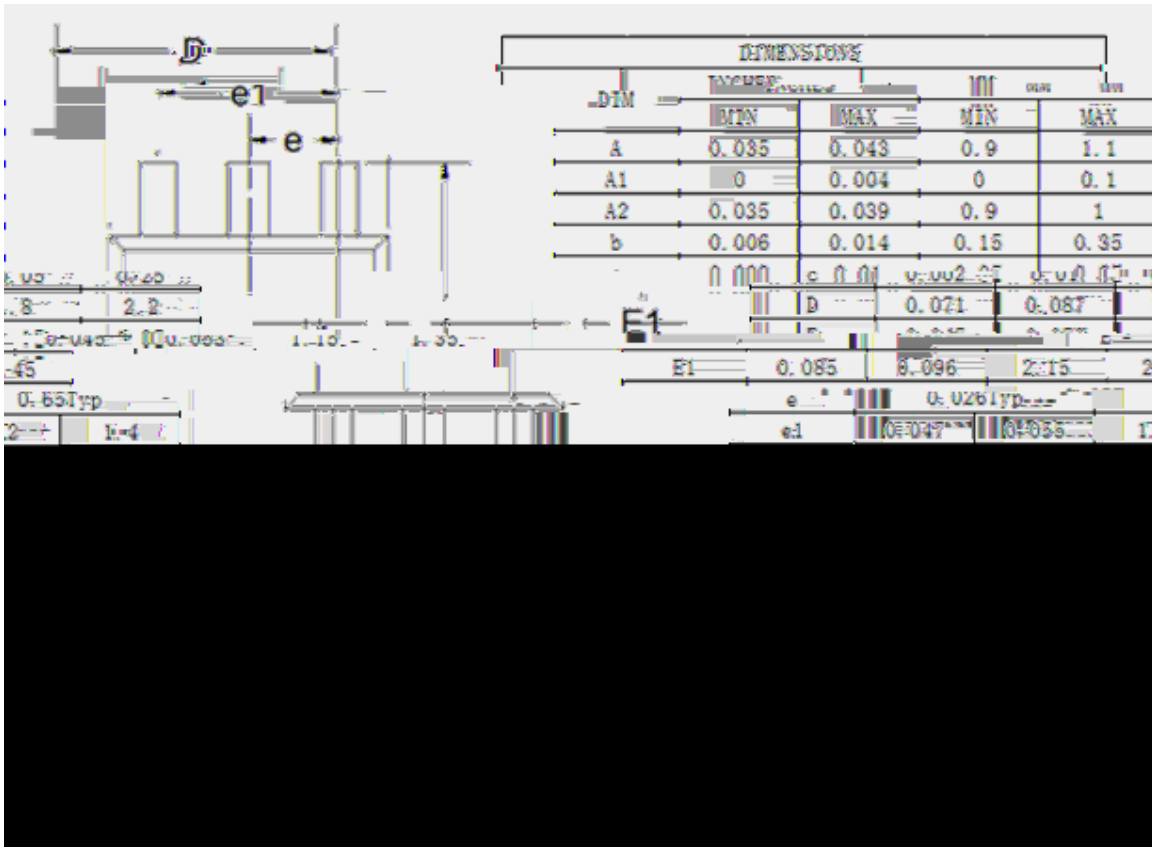
UMX1N

Maximum Ratings (Ta=25 Unless otherwise specified)

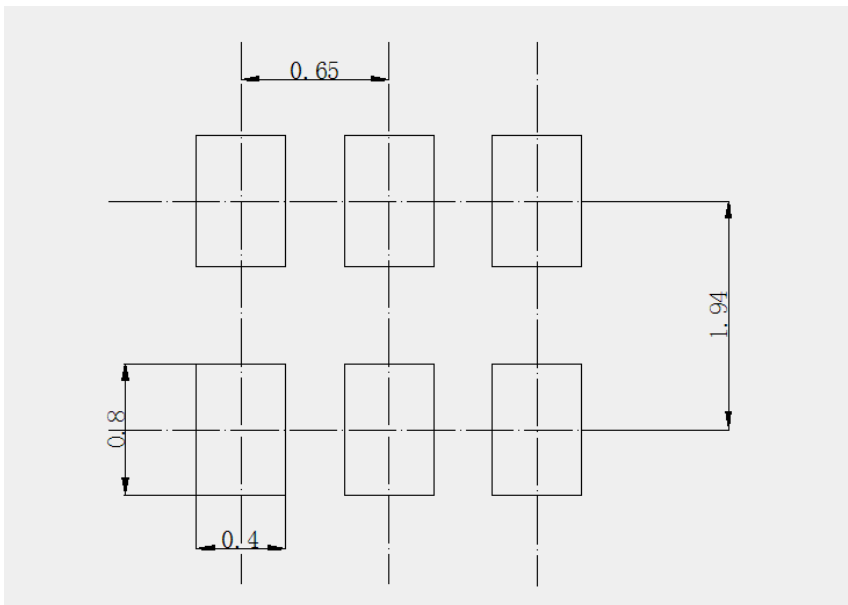
Item	Symbol	Unit	Conditions	Value
Collector-Base Voltage	VCBO	V	IC=50 μ A,IE=0	60
Collector-Emitter Voltage	VCEO	V	IC =1mA,IB=0	50
Emitter-Base Voltage	VEBO	V	IE=50 μ A,IC=0	7
Collector Current -Continuous	IC	mA		150
Total Device Dissipation	PC	mW		200
Junction Temperature	Tj			



SOT-363 Package Outline Dimensions



SOT-363 Soldering Footprint





Disclaimer

The information presented in this document is for reference only. Yangzhou Yangjie Electronic Technology Co., Ltd. reserves the right to make changes without notice for the specification of the products displayed herein to improve reliability, function or design or otherwise.

The product listed herein is designed to be used with ordinary electronic equipment or devices, and not designed to be used with equipment or devices which require high level of reliability and the malfunction of which would directly endanger human life (such as medical instruments, transportation equipment, aerospace machinery, nuclear-reactor controllers, fuel controllers and other safety devices), Yangjie or anyone on its behalf, assumes no responsibility or liability for any damages resulting from such improper use of sale.

This publication supersedes & replaces all information previously supplied. For additional information, please visit our website [http:// www.21yangjie.com](http://www.21yangjie.com) , or consult your nearest Yangjie's sales office for further assistance.