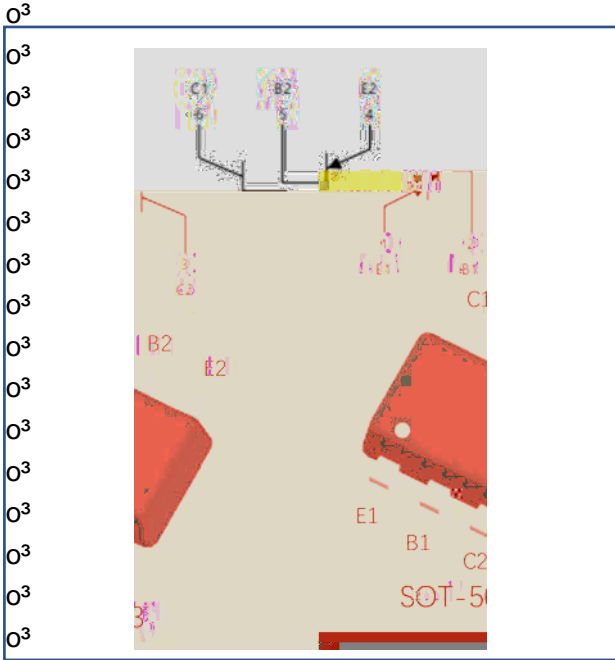




0"
(07 0"

RoHS
COMPLIANT

'XDO 313 6PDOO 6LJQDO 7UDQVLVW



)HDWXUHV

\$SSOLFDWLRQ
z 6LJQDO DPSOLILFDWLRQ
z 6ZLWFKLQJ FLUFXLW

0HFKDQLFDO GDWD
z 3DFNDJH 27 0³
z 7HUPLODQ SODWHG OHDG VRO
- 67' DQG -(6' 0³⁰%

v0D[LPXP 5DWLQJ 8QOHVV RWKHUZLVH VSHFLILHG

,WHP	6\PERO	8QLW	&RQGLWLRQV	9DOXH
'HYLFH PDUNLQJ FRGH				
&ROOHFWRU EDVH YROWDJH	&%2		9 X\$, 9	,
&ROOHFWRU HPLWWHU YROWDJH	%(2		& P\$, 9	,
(PLWWHU EDVH YROWDJH	(%2		9 (X\$, 9	,
&ROOHFWRU FXUUHQW	&	P\$,	
3RZHU GLVVLSDWLRQ	3	P:		
-XQFWLRQ WHPSHUDWXUH	-	-	7	WR
6WRUDJH WHPSHUDWXUH	67'	-	7	WR

0³
0³
0³
0³
0³
0³



0"
(07 0"

RoHS
COMPLIANT

0³
0³
0³
0³

,WHP	6\PERO	8QLV	&RQGLWLRQV	0LQ	7\S	0D[
&ROOHFWRU EDVH EUHDNGRZQ	YROWD	JH	X\$, 9			
&ROOHFWRU HPLWWHU EUHDNGRZQ	YROWD	JH	\$ 9			
(PLWWHU EDVH EUHDNGRZQ	YROWD	JH	(X\$,			
&ROOHFWRU FXW RII FXUUHQW			9&% 9Q \$			
(PLWWHU EDVH FXWRII FXUUHQW			9(% 9 Q \$			
'& FXUUHQW JDLQ)	K	&(9&, P\$ 9			
&ROOHFWRU HPLWWHU VDWXUDWLRQ	YROWD	JH	\$ 9			
7UDQVLWLRQ IUHTXHQF\	7		9&(9(, P\$ + 0+]			
2XWSXW FDSDFLWDQFH	&RE	5)	9&% 9 ,(\$ 0+]			

0”



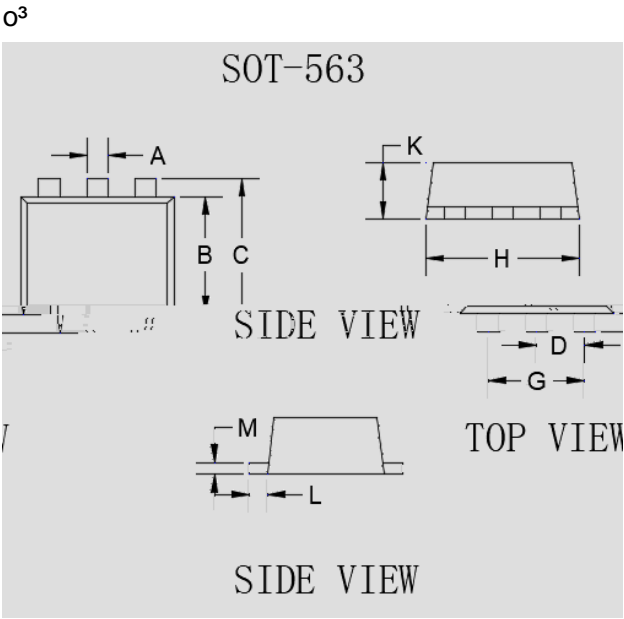
0"
(07 0"

RoHS
COMPLIANT

v2UGHULQJ ,QIRUPDWLRQ

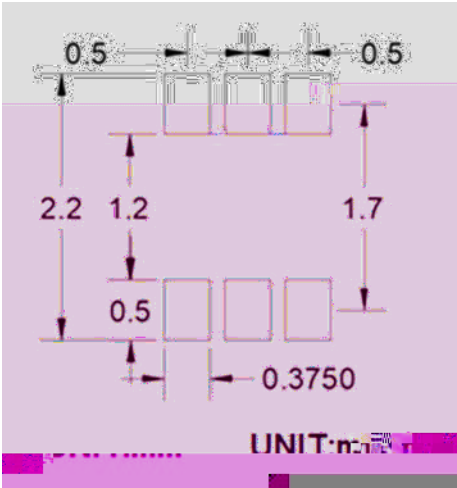
3UHIHUUHC	3DFNL FRGH	8QLW ZHLJ	0LQLPXP SDFNDJH	,QQHU ER TXDQWLW\	2XWHU FDU TXDQWLW\	'HOLYHU\ PRGH
(07)	\$SSUR[LPDWH				

v2XWOLQH 'LPHQVLRQV



DIM	DIMENSIONS			
	INCHES		MM	
	MIN	MAX	MIN	MAX
A	0.006	0.011	0.150	0.300
B	0.043	0.051	1.100	1.300
C	0.059	0.067	1.500	1.700
D	0.016	0.024	0.400	0.600
E	0.025	0.042	0.600	1.100
F	0.030	0.700	0.039	0.067
G	0.030	0.630	0.021	0.023
H	0.100	0.300	0.004	0.011
I	0.100	0.180	0.004	0.007

v6XJJHVWHG 3DG /D\RXW



0 3 0 3



0"
(07 0"

RoHS

COMPLIANT