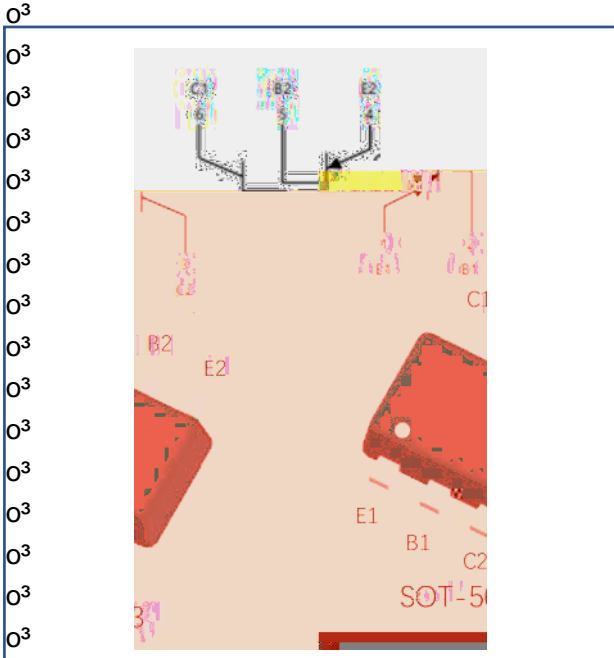




0"
% & 809

RoHS
COMPLIANT

'XDO 313 6PDOO 6LJQDO 7UDQVLVW



)HDWXUHV
z 0RLVWXUH VHQVLWLYLW\ OHYHO
z +DORJHQ IUHH DQG 5R+6 FRPSOL
z 6XUIDFH PRXQW SDFNDJH LGHDO
PDWLF ,QVHUWLRQ

\$SSOLFDFWLRQ
z 6LJQDO DPSOLILFDWLRQ
z 6ZLWFKLQJ FLUFXLW

0HFKDQLFDO GDWD
z 3DFNDJH 27 o³
z 7HUPLODQ SODWHG OHDG VRO
- 67' DQG -(6' o^{30%}

v0D[LPXP 5DWDQJ 8QOHVV RWKHUZLVH VSHFLILHG

,WHP	6\PERO	8QLW	&RQGLWLRQV	9DOXH
'HYLFH PDUNLQJ FRGH				/9
&ROOHFWRU EDVH YROWDJH	&%2		9 X\$, 9	,
&ROOHFWRU HPLWWHU YROWDJH	(%2		& \$\$, 9	,
(PLWWHU EDVH YROWDJH	(%2		9 (X\$, 9	,
3RZHU GLVVLSDWLRQ	3	P:		
-XQFWLRQ WHPSHUDWXUH	-	-	7	WR
6WRUDJH WHPSHUD		-		WR

o³
o³
o³
o³
o³
o³
o³



0"
% & 809

RoHS
COMPLIANT

0³
0³
0³
0³

, WHP



0"
% & 809

RoHS
COMPLIANT



0" % & 809

RoHS COMPLIANT

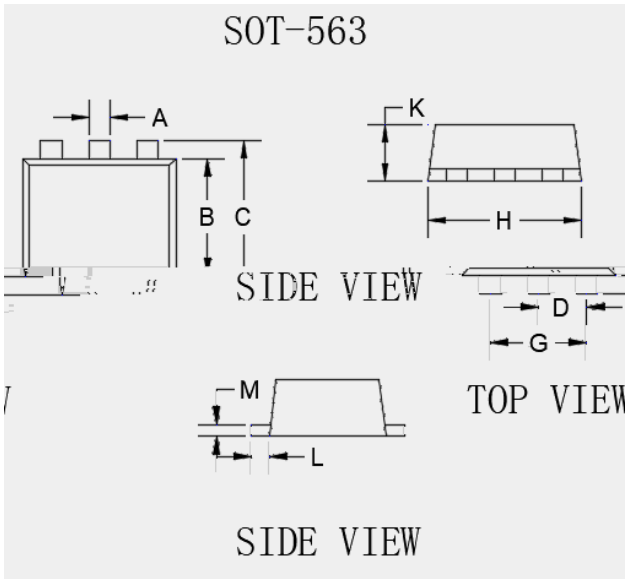
03

v2UGHULQJ ,QIRUPDWLRQ

3UHIHUUH(C	3DFNL FRGH	8QLW ZHLJ	0LQLPXP SDFNDJH	,QQHU ER TXDQWLW\	2XWHU FDU TXDQWLW\	'HOLYHU\ PRGH
% & & 9)	\$SSUR[LPDWH				

v2XWOLQH 'LPHQVLRQV

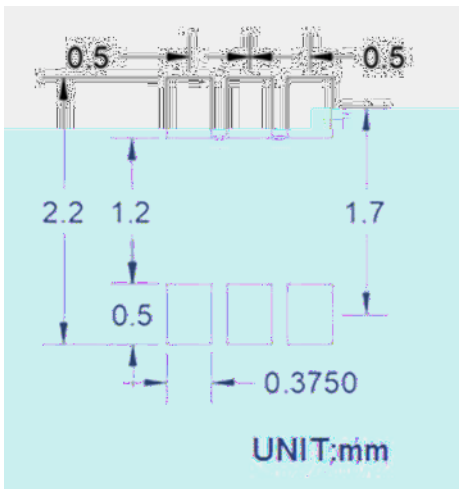
03



DIM	DIMENSIONS			
	INCHES		MM	
	MIN	MAX	MIN	MAX
A	0.006	0.011	0.150	0.300
B	0.043	0.051	1.100	1.300
C	0.059	0.067	1.500	1.700
D	0.016	0.024	0.400	0.600
G	0.025	0.043	0.800	1.100
H	0.039	0.067	1.000	1.700
K	0.021	0.026	0.530	0.660
L	0.004	0.011	0.100	0.300
M	0.004	0.007	0.100	0.180

03

v6XJJHVWHG 3DG /D\RXW



03

0 3 0 3

