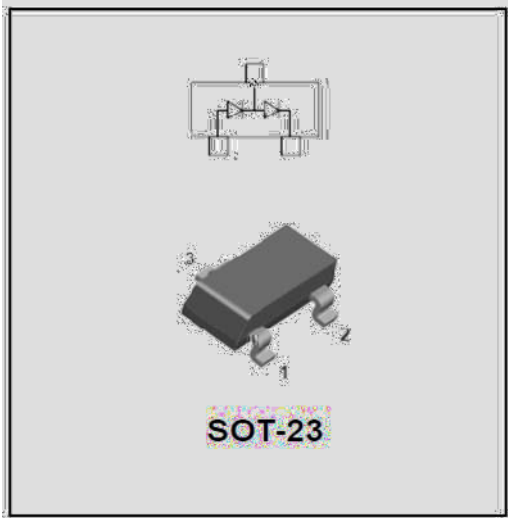


Small-Signal Fast Switching Diodes



Features

- V_R 1 \$ \$ V
- I_{FAV} single diode loaded 215mA
- double diode loaded 125mA

Typical Applications

Low-Leakage

Mechanical Data

- Package: SOT23
- Terminals: Tin plated leads ž solderable per > -STD- \$ \$ 2 and > ESD22-B1 \$ 2
- Marking: > Y

Maximum Ratings ($T_a=25$ 8 Q O H V V R W K H U Ā L V H V S H F L I L H G

PARAMETER	SYMBOL	UNIT	Conditions	VALUE
Repetitive peak reverse voltage	V_{RRM}	V		1 \$ \$
Reverse voltage	V_R	V	$I_R=1$ \$ \$ uA	1 \$ \$
Peak forward surge current	I_{FSM}	A	Non-Repetitive t = 1 s	(
Average forward current	I_{FAV}	mA	single diode loaded	215
			double diode loaded	125
Power dissipation	P_{tot}	mW		25 \$
Maximum junction temperature	T_j			
6 W R U D J H W H P S H U D W X U H U D Q J H			7	W R

Electrical Characteristics Ā 7 D 8 Q O H V V R W K H U Ā L V H V S H F L I L H G

PARAMETER	Symbol	UNIT	Conditions	Min	Max
Breakdown Voltage	V_R	V	$I_R=1$ \$ \$ uA	1 \$ \$	
Forward Voltage	V_f	V	$I_F=1$ mA		\$ " 9
			$I_F=1$ \$ mA		1 " \$
			$I_F=5$ \$ mA		1 " 1
			$I_F=15$ \$ mA		1 " 25
Reverse Leakage Current	I_R	nA	$V_R=75$ V		5
Capacitance	C	pF	$V_R=$ \$ V ž f=1MH n		(
Reverse Recovery Time	T_{rr}	us	$I_F=I_R=1$ \$ mA Ā , U U , 5 /		



BAV199

Ordering Information (Example)

PREFERED P/N	PACKING CODE	UNIT WEIGHT(g)	MINIMUM PACKAGE(pcs)	INNER BOX QUANTITY(pcs)	OUTER CARTON QUANTITY(pcs)	DELIVERY MODE
BAV199	F2	Approximate \$ " \$ \$,	3 \$ \$ \$	3 \$	\$ \$ \$	12 \$ \$ \$ \$

7 i

v627 3DFNDJH 2XWOLQH 'LPHQVLRQV

v627 6XJJHVWHG 3DG /D\RXW



BAV199

Disclaimer

The information presented in this document is for reference only. Yangjie Electronic Technology Co., Ltd. reserves the right to make changes without notice for the specification of the products displayed herein to improve reliability and function or otherwise.

The product listed herein is designed to be used with ordinary electronic equipment or devices and not designed to be used with equipment or devices which require high level of reliability, malfunction of which would directly endanger human life (such as medical instruments, transport equipment, aerospace machinery, nuclear-reactor controls, fuel controls, and other safety devices). Yangjie or anyone on its behalf assumes no responsibility for any damages resulting from such improper use of sale.

This publication supersedes and replaces all information previously supplied. For additional information, please visit our website <http://www.21yangjie.com> or consult your nearest Yangjie sales office for assistance.