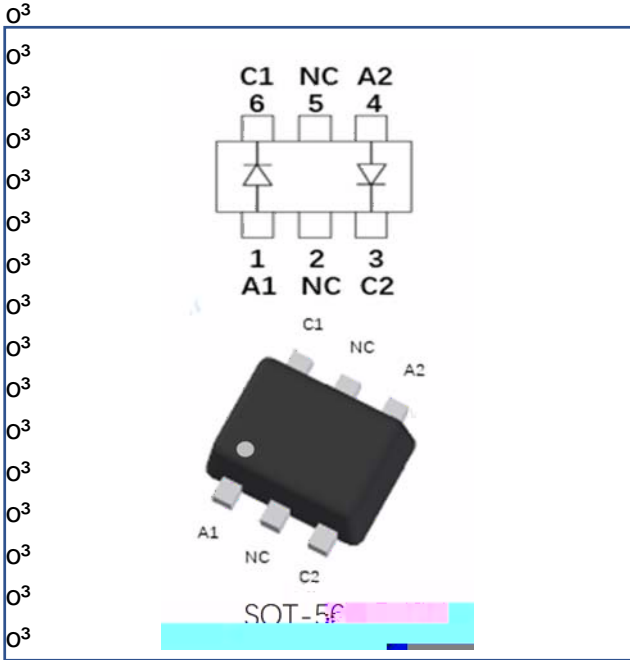




0"
% \$ 6 8

RoHS
COMPLIANT

6ZLWFKLQJ 'LRGH



)HDWXUHV
z 0RLVWXUH VHQR\ LWLYLW\ OHYHO
z 5HYHUVH YROWDJH
z \$YHUDJH IRUZDUJG P\$FXUUHQW

\$SSOLFDFWLRQ
z +LJK IUHTXHQF\ UHFWLILHU
z 6LJQDO VZLWFKLQJ

0HFKDQLFDO GDWD
z 3DFNDJH 27 03
z 7HUPLODQ SODWHG OHDG VRO
- 67' DQG -(6' 03%

v0D[LPXP 5DWDQJ 8QOHVV RWKHUZLVH VSHFLILHG

Table with 4 columns: ,WHP, 6\PERO, 8QLW, 9DOXH. Rows contain technical specifications and values.

03
03
0 3 0 3



0"
% \$ 6 09

RoHS
COMPLIANT



0"
% \$ 6 09

RoHS
COMPLIANT



0"
% \$ 6

RoHS
COMPLIANT

03

v2UGHULQJ ,QIRUPDWLRQ

03

Table with 7 columns and 2 rows containing alphanumeric codes and symbols.

03

v2XWOLQH 'LPHQVLRQV

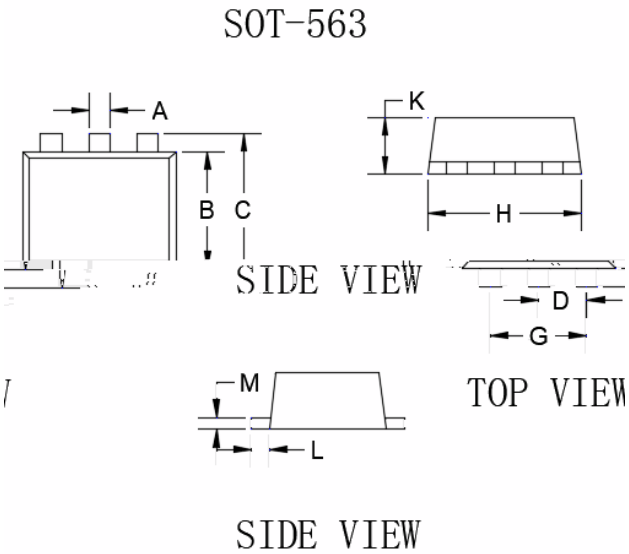
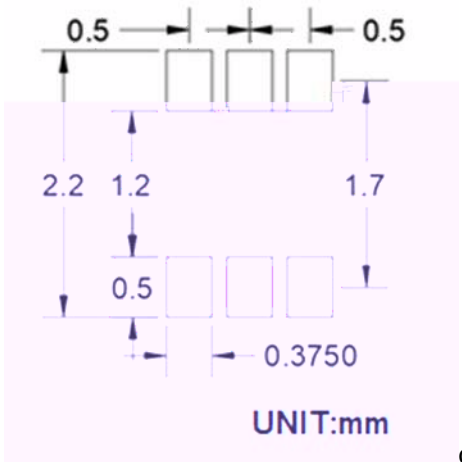


Table titled 'DIMENSIONS' with columns for DIM, INCHES (MIN, MAX), and MM (MN, MAX). It lists dimensions A through M with their respective values in inches and millimeters.

03

v6XJJHVWHG 3DG /D\RXW



03

0 3 0 3



0"
% \$ 6 09

RoHS
COMPLIANT

0³

'LVFODLPHU

7KH LQIRUPDWLRQ SURGXFWV LQ IRWLVH QJHURXK RQMLH (OHFWURQLF 7HFKQRORJ
ULJKW WR PDNH FKDLFH VRZLWKR XWSKFLSDURGXERQ RILWSOD\HG KHUHLQ WR GPSURQ
RU RWKHUZLVH

7KH SURGXFW OLVWHG KHUHLQ LV GHOLJHWR RFEHTXVSEHZLWR IR UGHLQDFUWWHQGG
HTXLSPHQW RU GHYLFHV ZKLFK UHTXLW KHKE DIO IXQFHWLRQ URHQILWELQRWODXGKUDHF
PHGLFDO LQVWUXPHQW HTXDSRISQWW DDUURQSEDIH PDUKLDFWRU FRQWUROOHWY IX
GHYLFHV <DQJMLH RU DQIRQH RQ LWV OEWK DQJ ODVEXPHWQIRW HDVSRQDREJXW
RI VDOH

7KLV SXEOLFDWLRQ SVXSHU DQJVLQURUPDVSRLSGHYRURXDGIRQLRSDHOVWRUPLW
KWW [ZZZ\DQJMLHFRP](#) QVXOW\RXUHQDCHVVRIDQJMLHVDQFVKHU D

0³