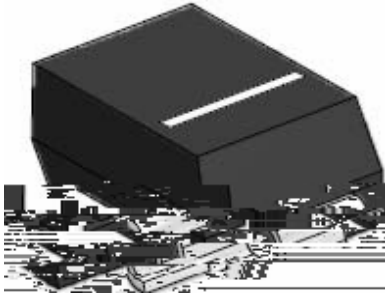


Small-Signal Switching Diodes

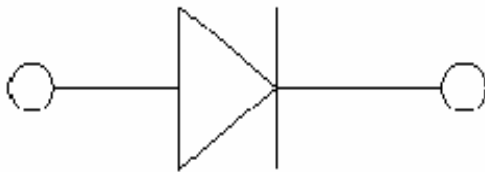


Features

V_R 80V
 I_{FAV} 150mA

Typical Applications

Extreme fast switches



Mechanical Data

Package: SOD323

Terminals: Tin plated leads, solderable per J-STD-002 and JESD22-B102

Polarity: Cathode line denotes the cathode end

Marking: A

Maximum Ratings ($T_a=25$ Unless otherwise specified)

PARAMETER	SYMBOL	UNIT	Conditions	VALUE
Repetitive peak reverse voltage	V_{RRM}	V		90
Maximum DC Blocking	V_{DC}	V		80
Peak forward surge current	I_{FSM}	A	$t_p=1\mu s$	2
Average forward current	I_{FAV}	mA		150
Power dissipation	P_{tot}	mW		200
Maximum junction temperature	T_j			-65 to +150
Storage temperature range	T_{stg}			-65 to +150

Electrical Characteristics $T_a=25$ Unless otherwise specified

PARAMETER	SYMBOL	UNIT	Conditions	VALUE
Maximum Forward voltage	V_F	mV	$I_F=100mA$	1200
Maximum Reverse current	I_R	nA	$V_R=80V$	100
Minimum Breakdown voltage	V_R	V	$I_R=1\mu A$	80
Maximum Diode capacitance	C_D	pF	$V_R=6.0V, f=1MHz$	3.0
Maximum Reverse recovery time	t_{rr}	ns	$I_F=10mA, V_R=6V$	4



1SS355

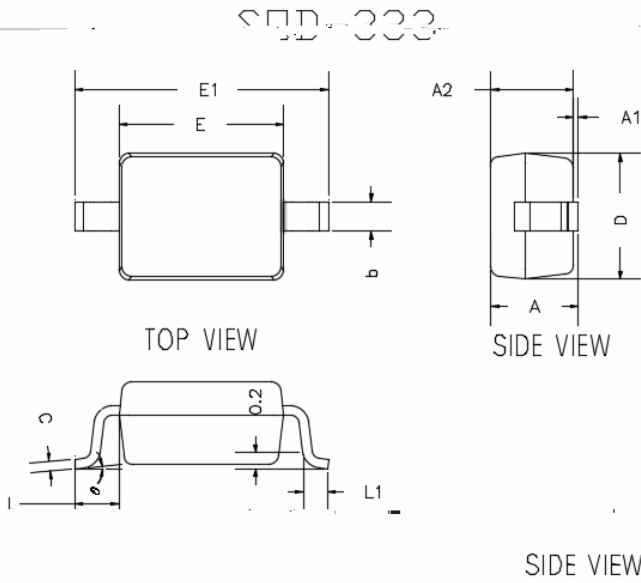
Ordering Information (Example)

PREFERRED P/N	PACKING CODE	UNIT WEIGHT(g)	MINIMUM PACKAGE(pcs)	INNER BOX QUANTITY(pcs)	OUTER CARTON QUANTITY(pcs)	DELIVERY MODE
1SS355	F2	Approximate 0.0048	3000	30000	120000 O..	Ù



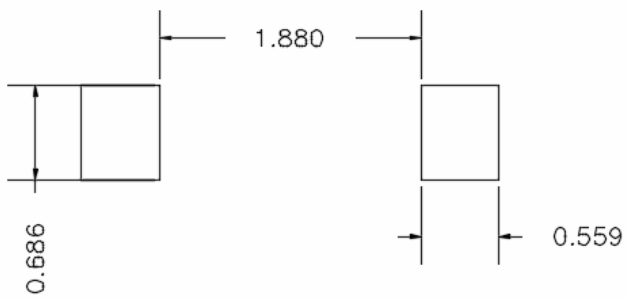
1SS355

Outline Dimensions



DIMENSIONS				
DIM	INCHES		MM	
	MIN	MAX	MIN	MAX
A	---	0.0393	---	1.0000
A1	0.0000	0.0039	0.0000	0.1000
A2	0.0314	0.0354	0.8000	0.9000
b	0.0098	0.0157	0.2500	0.4000
D	0.0031	0.0059	0.0800	0.1500
E	0.0472	0.0551	1.2000	1.4000
E1	0.0629	0.0709	1.6000	1.8000
L1	0.0984	0.1063	2.5000	2.7000
L	0.0187 TYP		0.475 TYP	
L1	0.0098	0.0157	0.250	0.40
ø	0	8	0	8

Soldering Footprint



UNIT: mm

~~SUGGESTED SOLDER PAD LAYOUT~~



Disclaimer

The information presented in this document is for reference only. Yangzhou Yangjie Electronic Technology Co., Ltd. reserves the right to make changes without notice for the specification of the products displayed herein to improve reliability, function or design or otherwise.

The product listed herein is designed to be used with ordinary electronic equipment or devices, and not designed to be used with equipment or devices which require high level of reliability and the malfunction of which would directly endanger human life (such as medical instruments, transportation equipment, aerospace machinery, nuclear-reactor controllers, fuel controllers and other safety devices), Yangjie or anyone on its behalf, assumes no responsibility or liability for any damages resulting from such improper use of sale.

This publication supersedes & replaces all information previously supplied. For additional information, please visit our website [http:// www.21yangjie.com](http://www.21yangjie.com) , or consult your nearest Yangjie's sales office for further assistance.