



Epoxy meets UL-94 V-0 flammability rating
 Halogen free available upon request by adding suffix "HF"
 Moisture Sensitivity Level 1
 Low collector-emitter saturation voltage

: SOT-89

Molding compound meets UL 94 V-0 flammability rating,
 RoHS-compliant, halogen-free

Tin plated leads, solderable per
 J-STD-002 and JESD22-B102

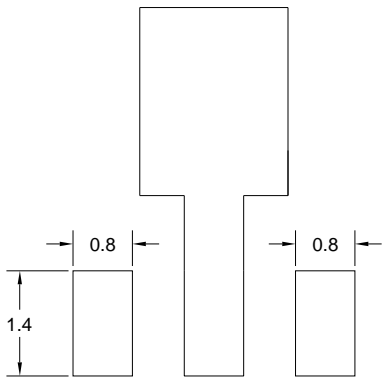
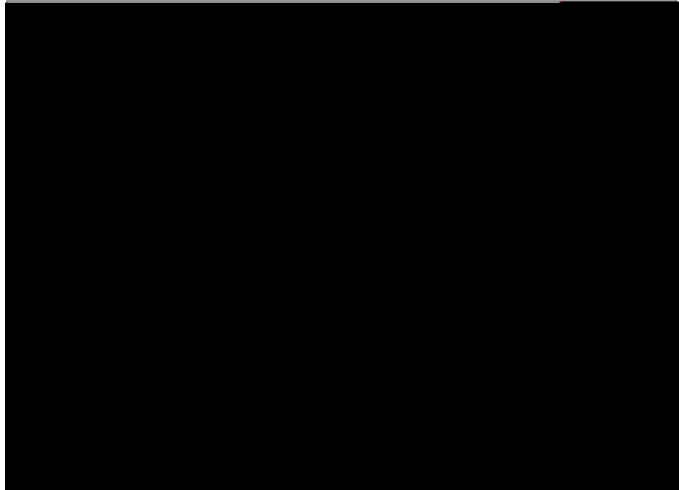
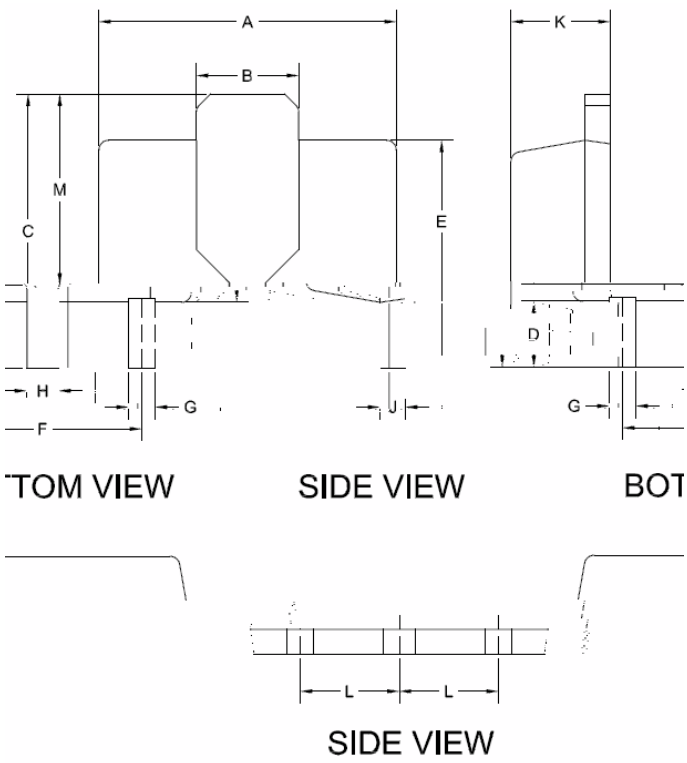
Marking:

BCX52	AE
BCX52-16	AM

(Ta=25 unless otherwise noted)

Minimum Collector-Emitter Voltage	V_{CEO}	V	$I_C=-1mA, I_B=0$	-60
Minimum Collector-Base Voltage	V_{CBO}	V	$I_C=-100\mu A, I_E=0$	-60
Minimum Emitter-Base Voltage	V_{EBO}	V	$I_E=-100\mu A, I_C=0$	-5
Collector Current	I_C	A		-1
Collector Power Dissipation	P_C	mW		500
Thermal Resistance From Junction To Ambient	R_{JA}	/W		250

% & ;



UNIT:MM



The information presented in this document is for reference only. Yangzhou Yangjie Electronic Technology Co., Ltd. reserves the right to make changes without notice for the specification of the products displayed herein to improve reliability, function or design or otherwise.

The product listed herein is designed to be used with ordinary electronic equipment or devices, and not designed to be used with equipment or devices which require high level of reliability and the malfunction of which would directly endanger human life (such as medical instruments, transportation equipment, aerospace machinery, nuclear-reactor controllers, fuel controllers and other safety devices), Yangjie or anyone on its behalf, assumes no responsibility or liability for any damages resulting from such improper use of sale.

This publication supersedes & replaces all information previously supplied. For additional information, please visit our website [http:// www.21yangjie.com](http://www.21yangjie.com) , or consult your nearest Yangjie's sales office for further assistance.