



Silicon Carbide Schottky Diode

Features

Positive temperature coefficient
 Temperature-independent switching
 Maximum working temperature at 175 °C
 Unipolar devices and zero reverse recovery current
 Zero forward recovery current
 Essentially no switching losses
 Reduction of heat sink requirements
 High-frequency operation
 Reduction of EMI

Typical Applications

Typical applications are in power factor correction(PFC), solar inverter, uninterruptible power supply, motor drives, photovoltaic inverter, electric car and charger.

Mechanical Data

Package: TO-247AB

Molding compound meets UL 94 V-0 flammability rating, RoHS-compliant, halogen-free

Terminals: Tin plated leads

Polarity: As marked

Maximum Ratings ($T_c=25$ Unless otherwise specified)

PARAMETER	SYMBOL	UNIT	VALUE
Device marking code			D106540NCTQG2
Reverse voltage (repetitive peak) @ $T_j=25^\circ\text{C}$	V_{RRM}	V	650
Reverse voltage (Surge Peak) @ $T_j=25^\circ\text{C}$	V_{RSM}	V	650
Reverse voltage (DC) @ $T_j=25^\circ\text{C}$	V_{DC}	V	650
Continuous forward current @ $T_c=25^\circ\text{C}$	I_F	A	56/112
Continuous forward current @ $T_c=135^\circ\text{C}$			26/52
Continuous forward current @ $T_c=148^\circ\text{C}$			20/40
Non-repetitive peak forward surge current @ $T_c=25^\circ\text{C}$, $t_p=10\text{ms}$, Hal M nu p re Æ c		p	
Power Dissipation @ $T_c=110^\circ\text{C}$			81/158
i^2t Value @ $T_c=25^\circ\text{C}$, $t_p=10\text{ms}$	i^2t	A^2S	128 ⁽¹⁾
Operating junction and Storage temperature range	T_j, T_{stg}	$^\circ\text{C}$	-55 to +175

(1) Per Leg, (2) Per Device

v(OHFWULFDO & KD B B W H J L V W L F V

	3 \$ 5 \$ 0 7 (7 (5	6 < 0 % 2	8 1 , 7	7 (6 7 & 2 1 ' , 7 , 2 1	7 \ S	0 D [
) RUZDUG YROWDJH GURS)) \$ M f &			
			9 9			
5HYHUVH OHDNDJH FXUUHQW	5		9 ₅ 9 M f &			
			9 ₅ 9 M f &			
7RWDO FDSDFLWLYH FKDUJH	&		Q &			



Figure 3. Capacitance vs. Reverse Voltage

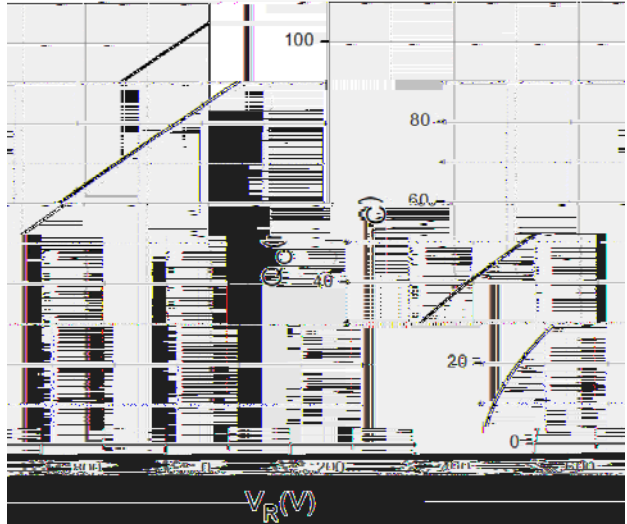


Figure 4. Total Capacitance Charge vs. Reverse Voltage

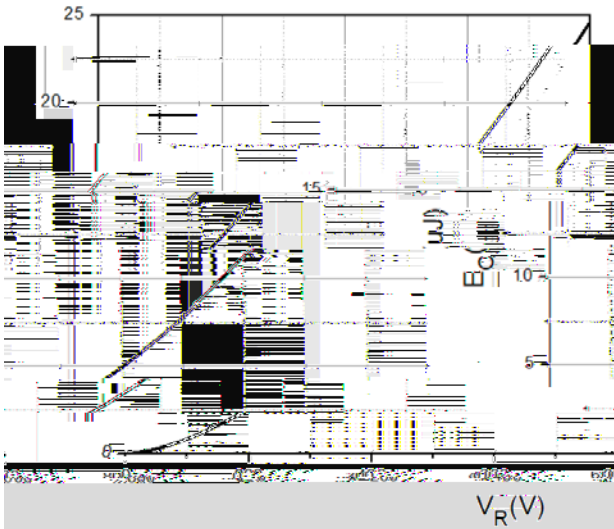


Figure 5. Capacitance Stored Energy

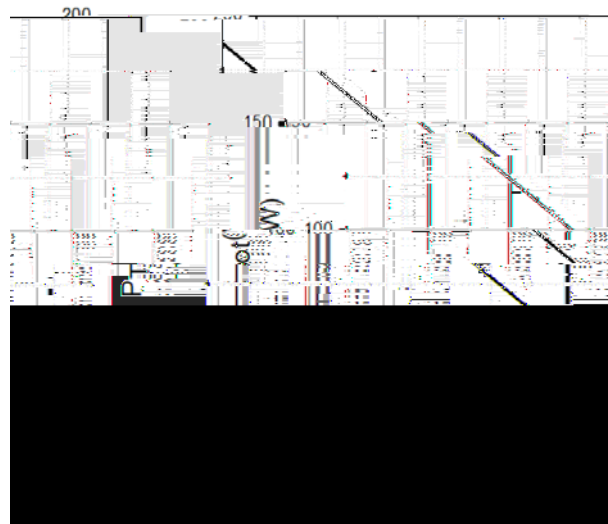


Figure 6. Power Derating

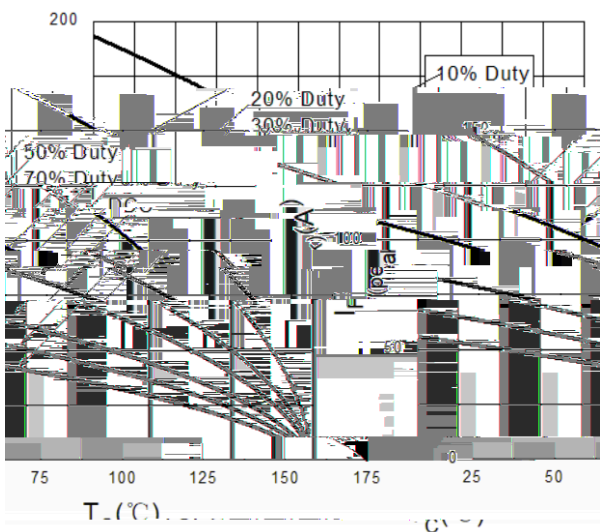
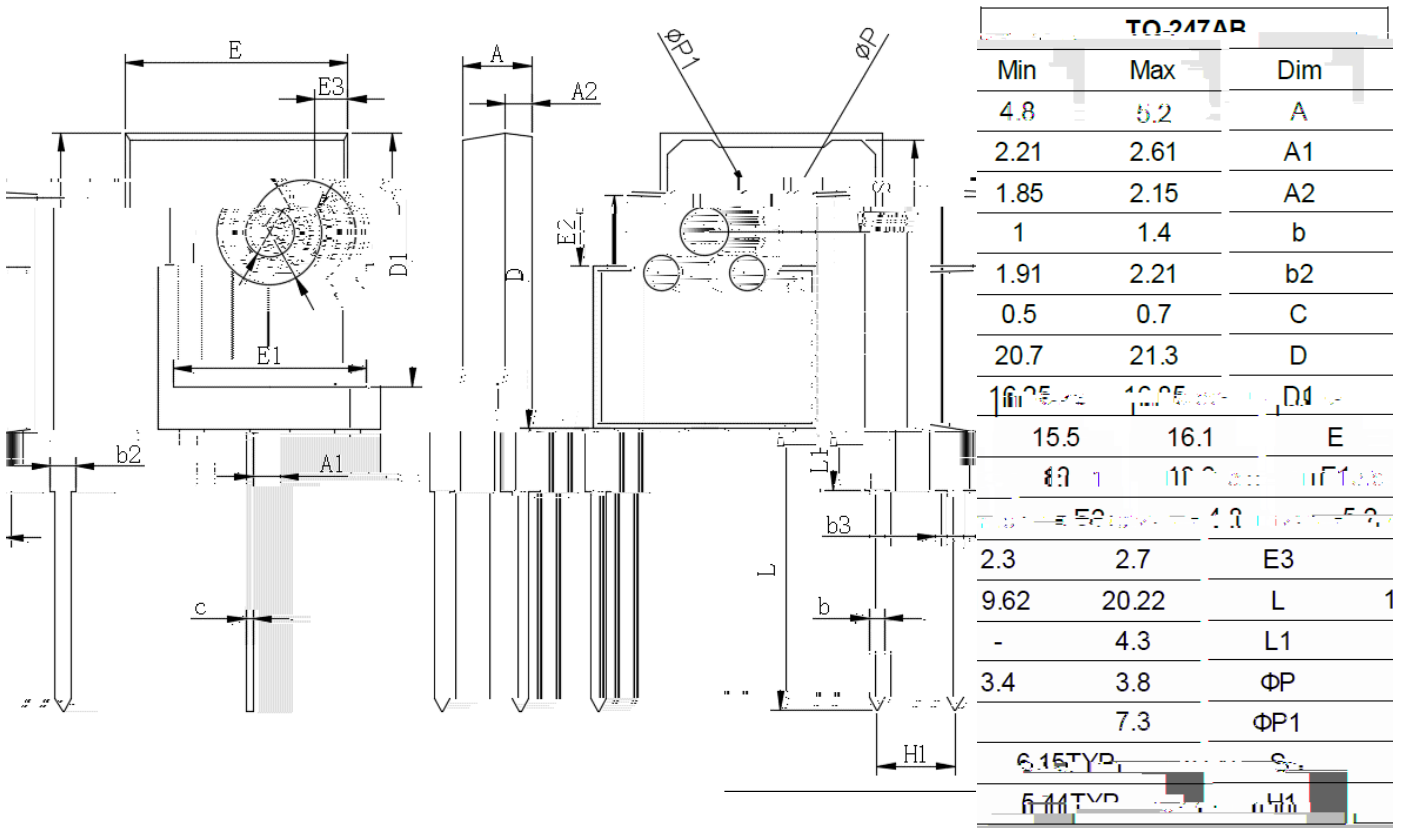


Figure 7. Current Derating





Outline Dimensions





Disclaimer

The information presented in this document is for reference only. Yangzhou Yangjie Electronic Technology Co., Ltd. reserves the right to make changes without notice for the specification of the products displayed herein to improve reliability, function or design or otherwise.

The product listed here is for reference only. It is not intended to be used directly in any design without the assistance of a qualified engineer. The user should refer to the product specification and related documents for more information. The user should be responsible for the design and application of the product. The user should not use the product in any way that is not intended by the manufacturer. The user should not use the product in any way that is illegal or that could cause injury or damage to property. The user should not use the product in any way that is not approved by the manufacturer. The user should not use the product in any way that is not intended by the manufacturer.

