



## NPN Plastic-Encapsulate Transistor

### Features

Epoxy meets UL-94 V-0 flammability rating and halogen free

Moisture Sensitivity Level 1

E©t

gen High power dissipatM yEt 9

ht M

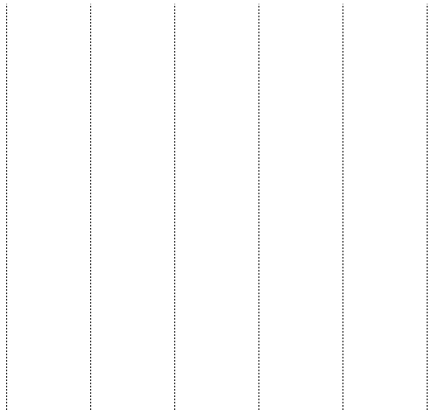


## BCP54-16Q

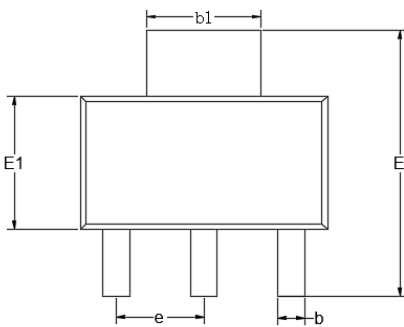
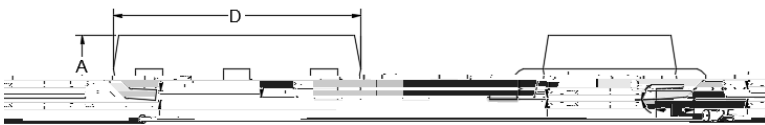
### Maximum Ratings (Ta=25 unless otherwise noted)

Item	Symbol	Unit	Value
Collector-Emitter Voltage	$V_{CEO}$	V	45
Collector-Base Voltage	$V_{CBO}$	V	45
Emitter-Base Voltage	$V_{EBO}$	V	5

**BCP54-16Q4**

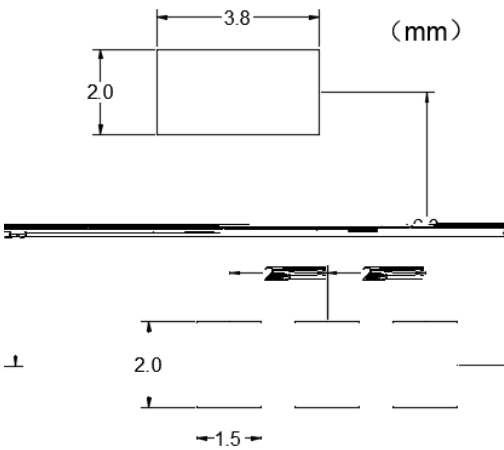


**SOT-223 Package Outline Dimensions**



DIMENSIONS				
DIM	INCHES		MM	
	MIN	MAX	MIN	MAX
A	0.0591	0.0670	1.5000	1.7000
b	0.0000	0.0010	0.0000	0.0254
b1	0.0000	0.0010	0.0000	0.0254
E	0.0000	0.0010	0.0000	0.0254
E1	0.0000	0.0010	0.0000	0.0254
e	0.0000	0.0010	0.0000	0.0254

**SOT-223 Suggested Pad Layout**





### Disclaimer

The information presented in this document is for reference only. Yangzhou Yangjie Electronic Technology Co., Ltd. reserves the right to make changes without notice for the specification of the products displayed herein to improve reliability, function or design or otherwise.

The product listed herein is designed to be used with automotive electronics are not designed for use in medical, life-saving, life-sustaining, or military, Yangjie or anyone on its behalf, assumes no responsibility or liability for any damages resulting from such improper use of sale.

This publication supersedes & replaces all information previously supplied. For additional information, please visit our website [http:// www.21yangjie.com](http://www.21yangjie.com) , or consult your nearest Yangjie's sales office for further assistance.