



**YJQD25N01A**

---

# **N Channel Enhancement Mode Field Effect Transistor**

## **Product Summary**

### **General Description**

### **Applications**

### **Absolute Maximum Ratings**

<b>Parameter</b>	<b>Symbol</b>	<b>Limit</b>	<b>Unit</b>
------------------	---------------	--------------	-------------

---





### Typical Performance Characteristics

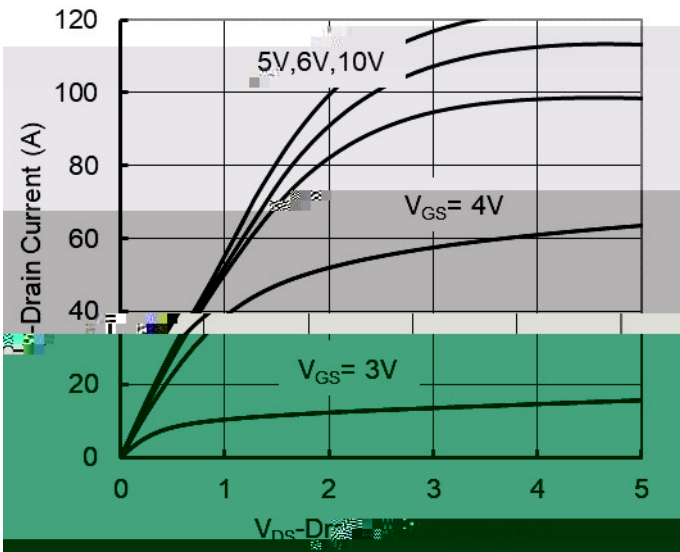


Figure 1. Output Characteristics

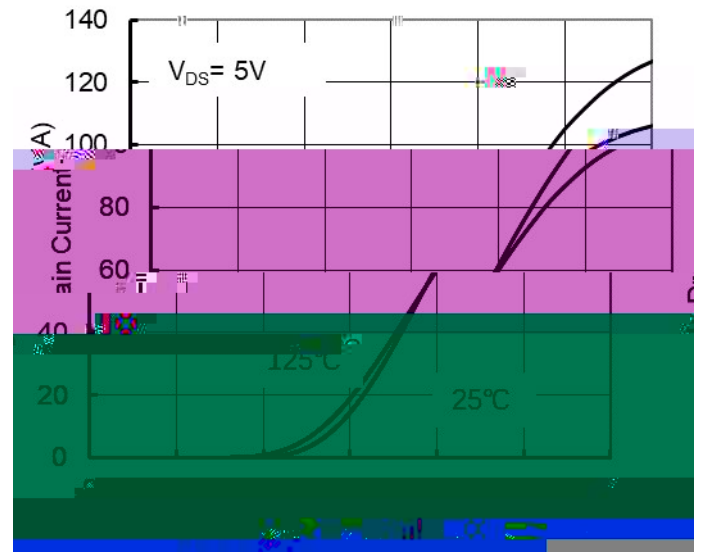


Figure 2. Transfer Characteristics

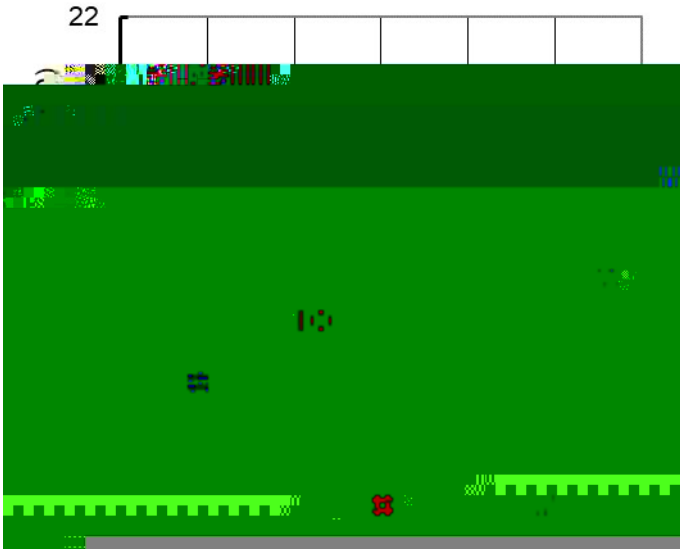


Figure 3. On-Resistance vs. Drain Current

4 . Q g u e h n i " ^ i T

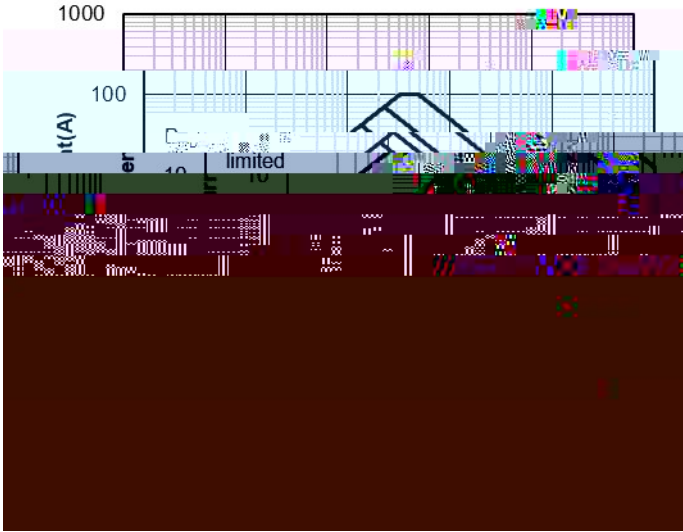


Figure 7 Safe Operation Area

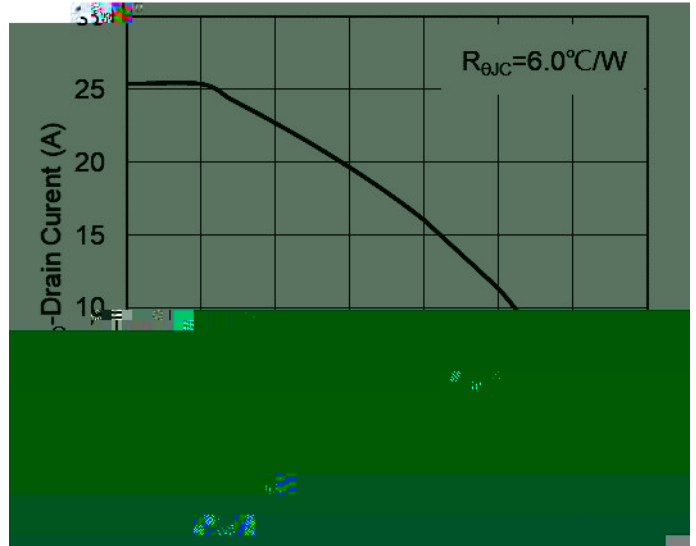


Figure 8 Maximum Continuous Drain Current vs Case Temperature

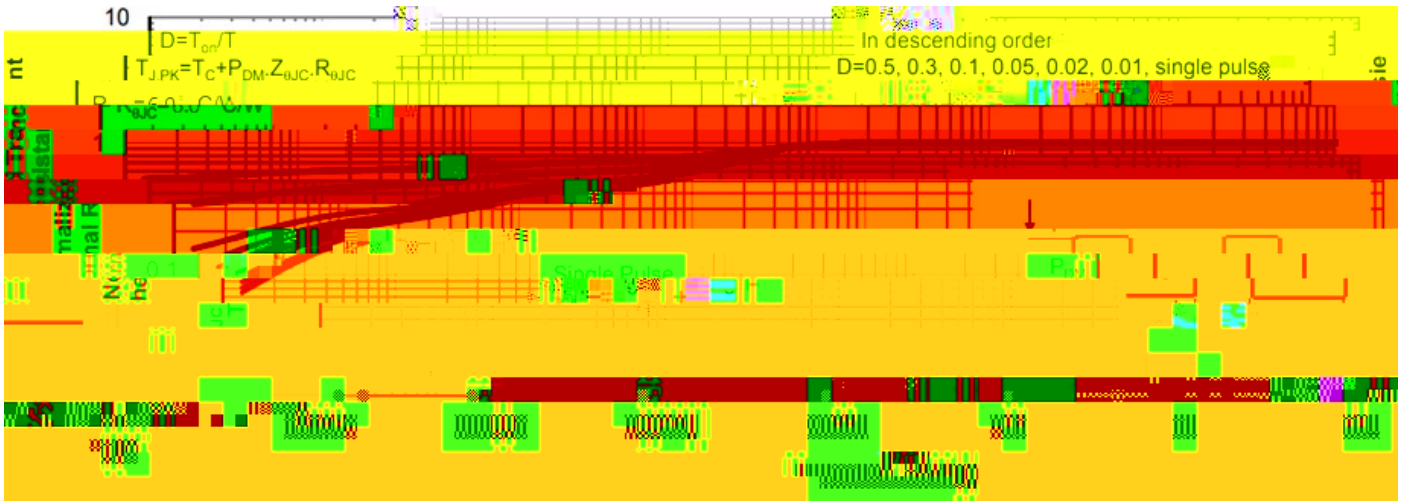
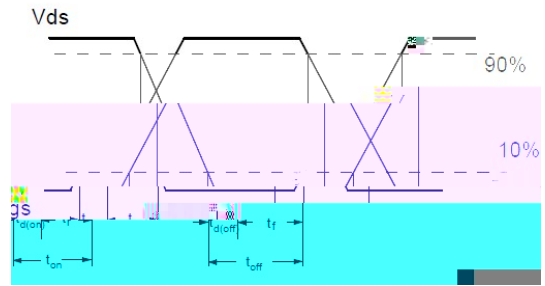
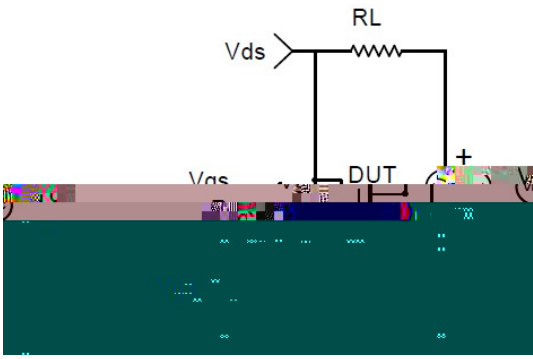


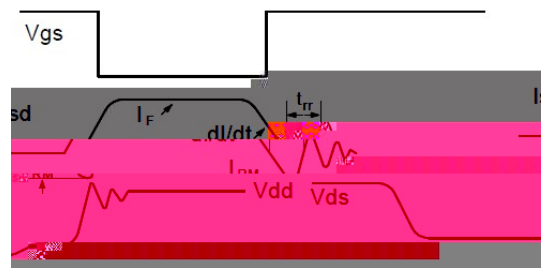
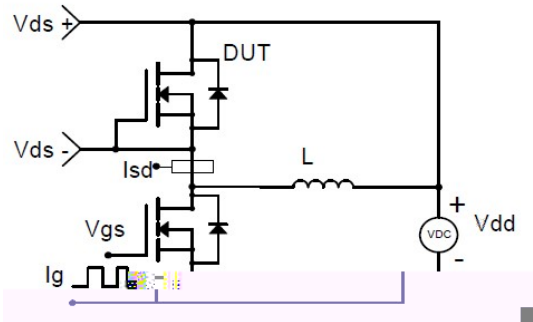
Figure 9 Normalized Maximum Transient Thermal Impedance



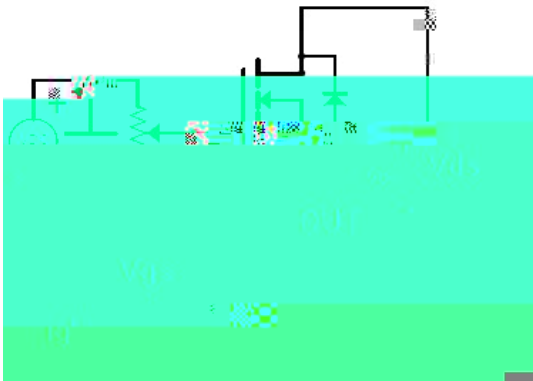
# YJQD25N01A



## Resistive Switching Test Circuit & Waveforms



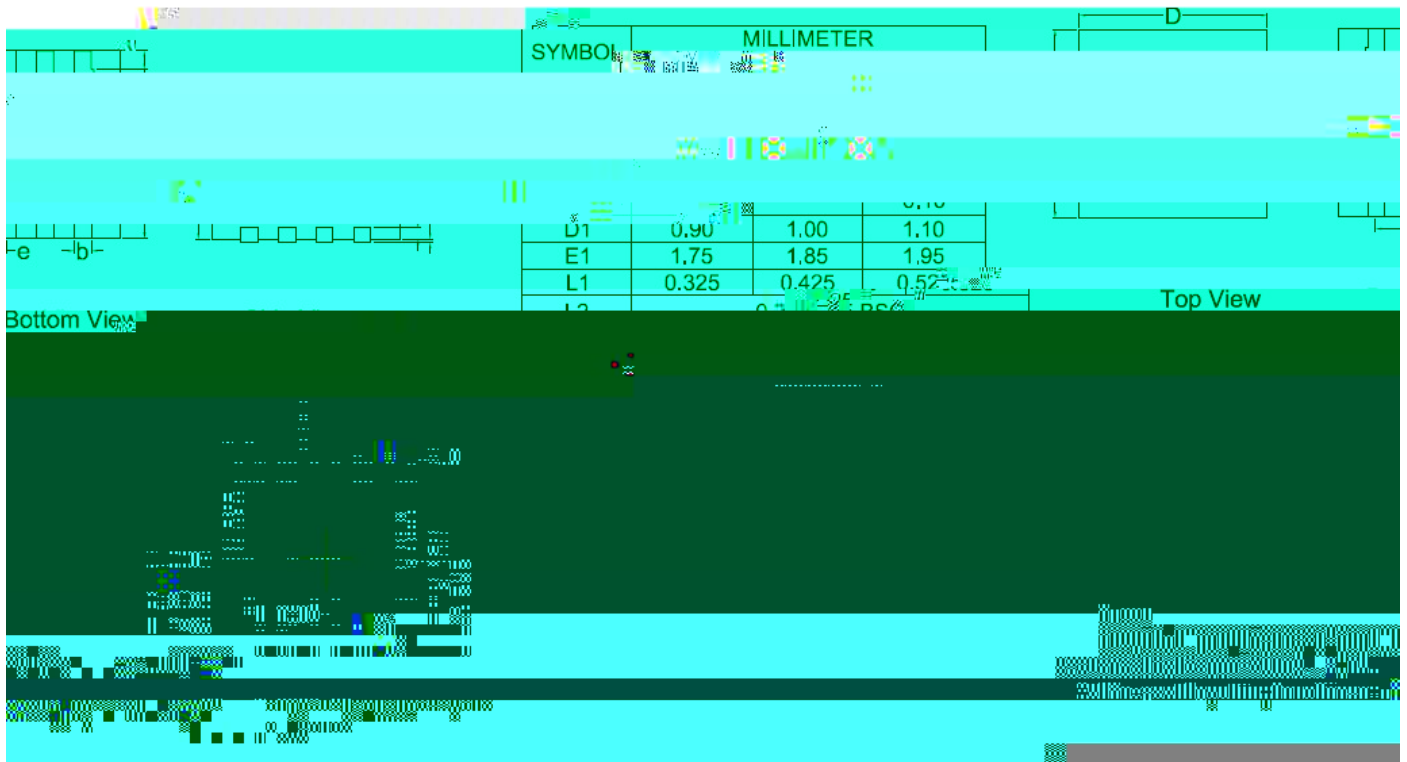
## Diode Recovery Test Circuit & Waveforms





# YJQD25N01A

## DFN33x33 Package information





**YJQD25N01A**

---

**Disclaimer**

---