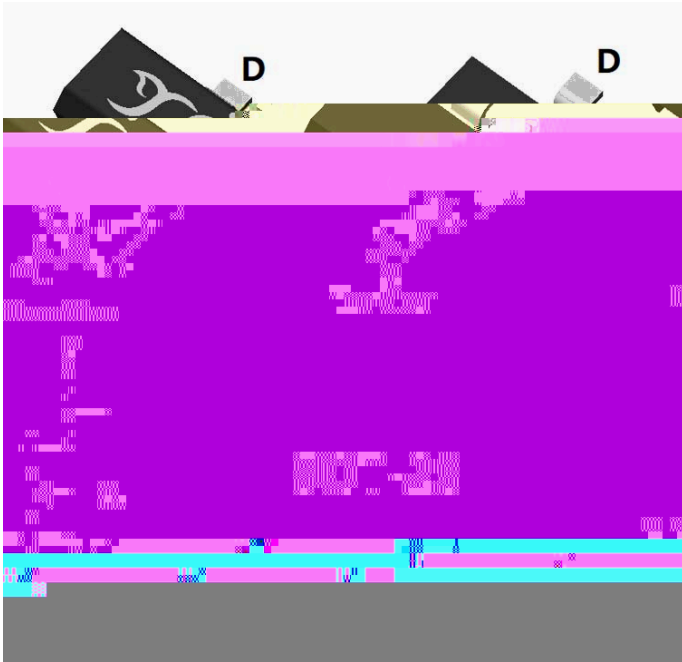




# N-Channel Enhancement Mode Field Effect Transistor



## Product Summary

## General Description

## Applications

### Absolute Maximum Ratings

Parameter	Symbol	Limit	Unit
		±	
			/

### Ordering Information

PREFERRED P/N	PACKING CODE	Marking	MINIMUM PACKAGE(pcs)	INNER BOX QUANTITY(pcs)	OUTER CARTON QUANTITY(pcs)	DELIVERY MODE



# YJL2312AQ

---

## Electrical Characteristics

Parameter	Symbol	Conditions	Min	Typ	Max	Units
-----------	--------	------------	-----	-----	-----	-------

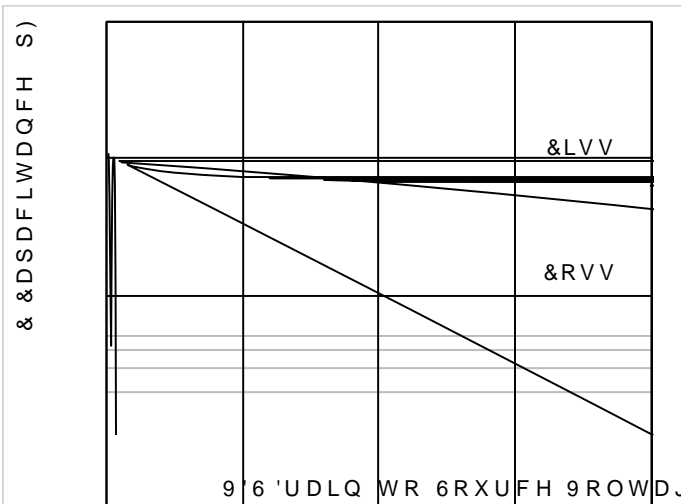
---

v 7\SLFDO 3HUIRUPDQFH &KDUDFWHULVWLFV

&XJUH



)LJXUH 2XWSXW &KDUDFWHULVWLFV)LJXUH 7UDQV IHWL &KDUDFWHULVWLFV



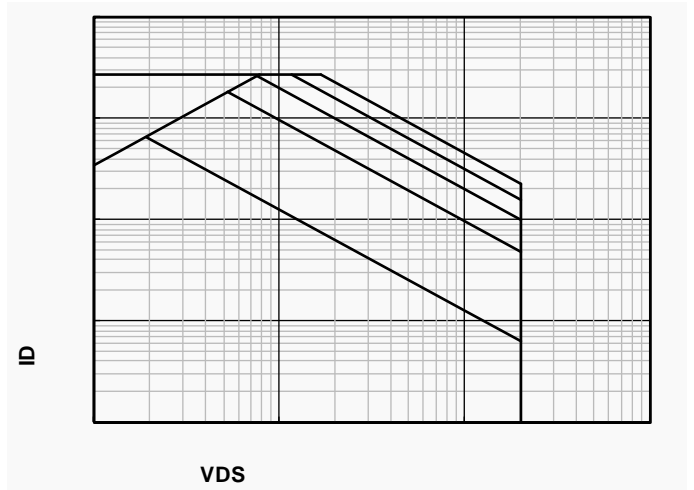
)LJXUH &DSDFLWDQFH &KDUDFWHULVWLFV

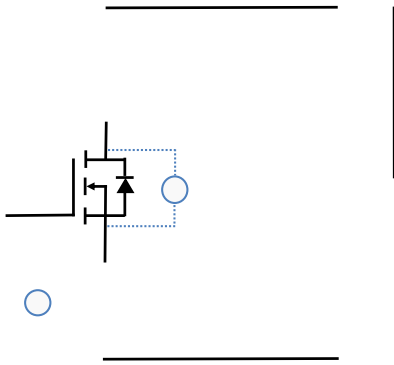
)LJXUH 2Q 5HVLWHDQFH 6RXUFH 9ROWDJH)LJXUH 1RUPDOLJHG 2Q 5HVLWHDQFH






# YJL2312AQ





YJL2312AQ

---

