



**MF200C12F2N**

## Electrical Characteristics

Symbol	Conditions	Values
--------	------------	--------

### Performance Curves

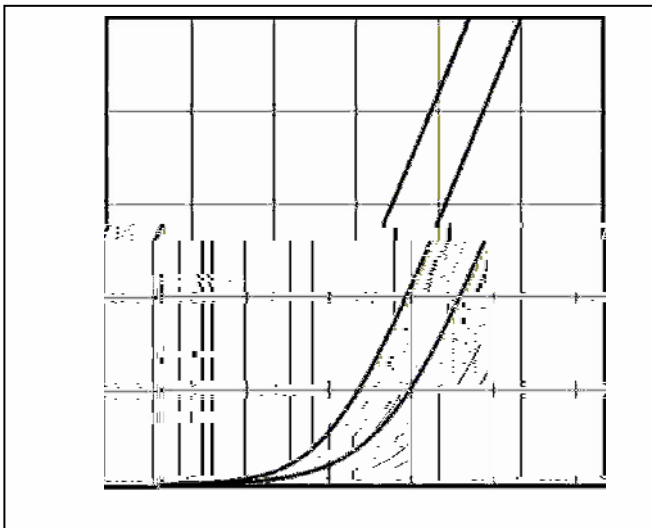


Fig1. Forward Voltage Drop vs Forward Current

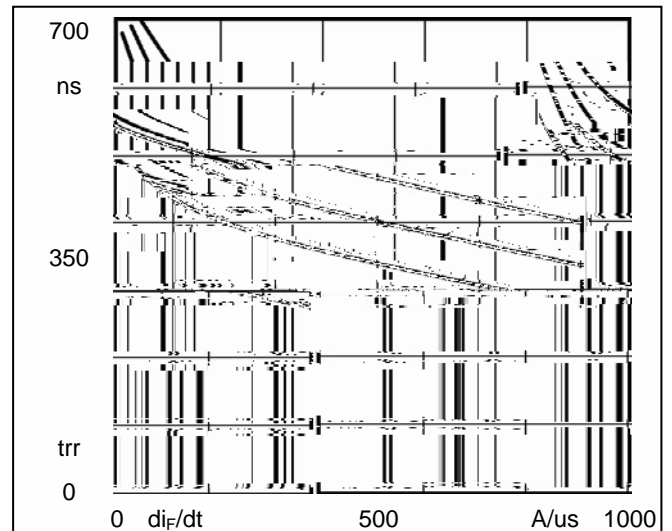


Fig2. Reverse Recovery Time vs di<sub>F</sub>/dt

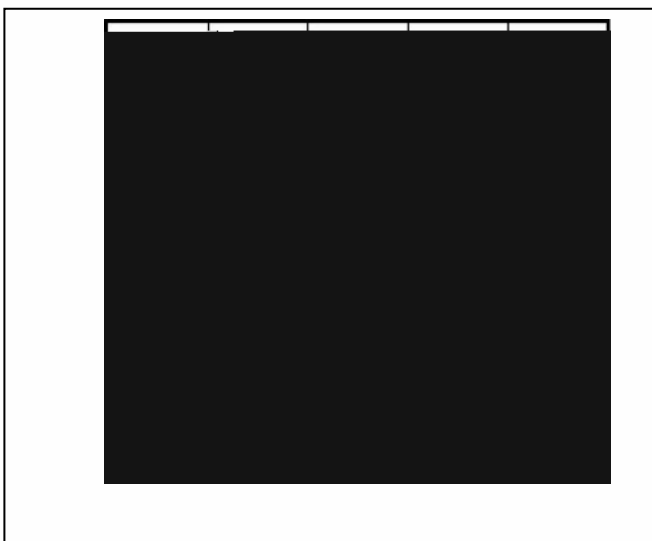


Fig3. Reverse Recovery Current vs di<sub>F</sub>/dt

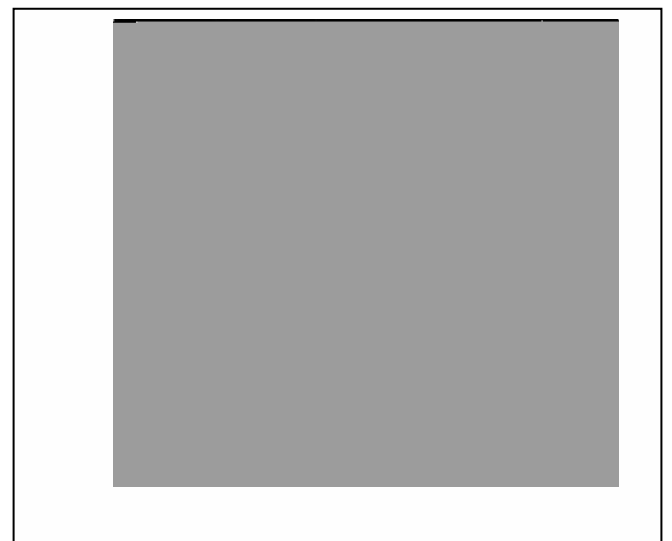
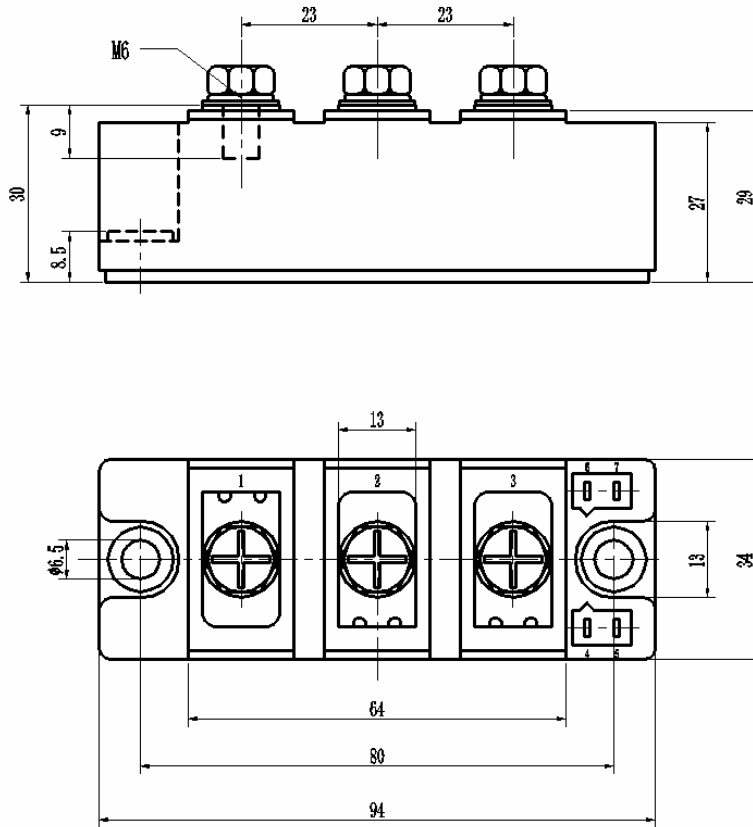


Fig4. Reverse Recovery Charge vs di<sub>F</sub>/dt



**Package Outline Information**

**CASE: F2N**



**Dimensions in mm**