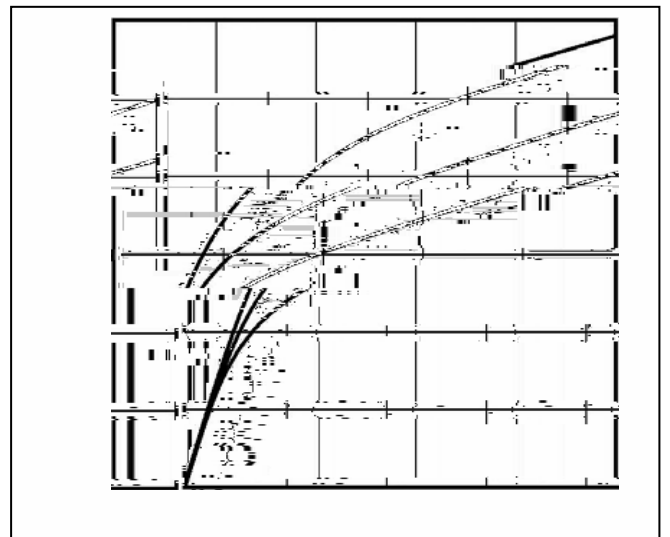
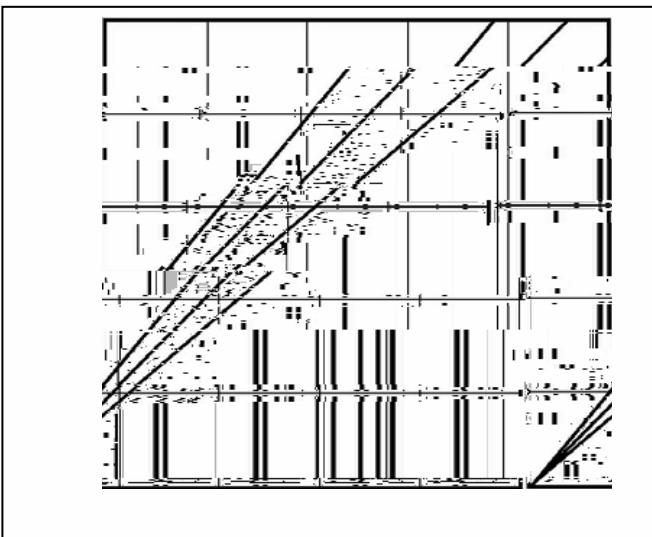


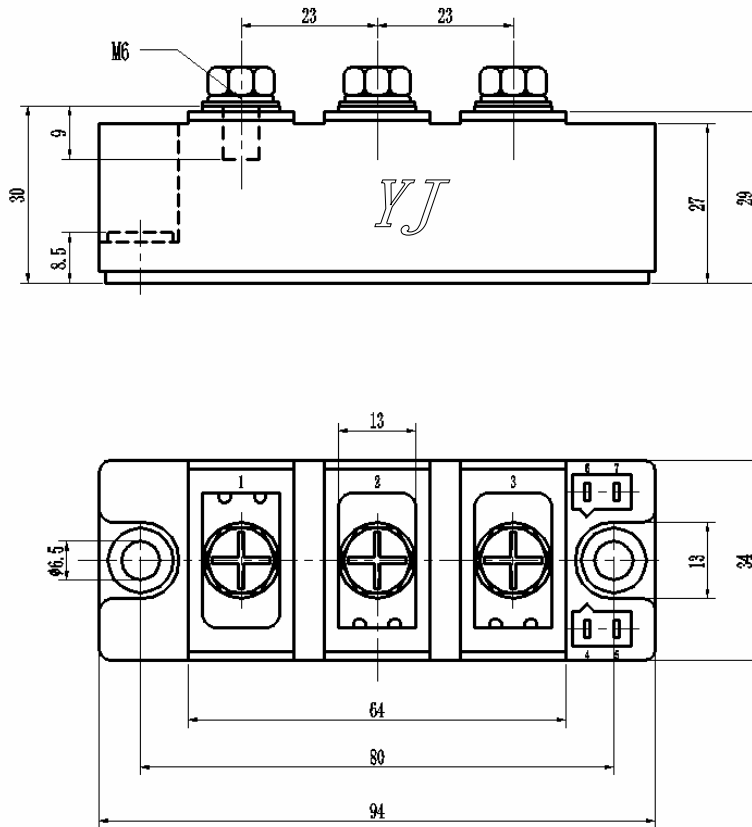


MF150A06F2N



## Package Outline Information

CASE: F2N



Dimensions in mm