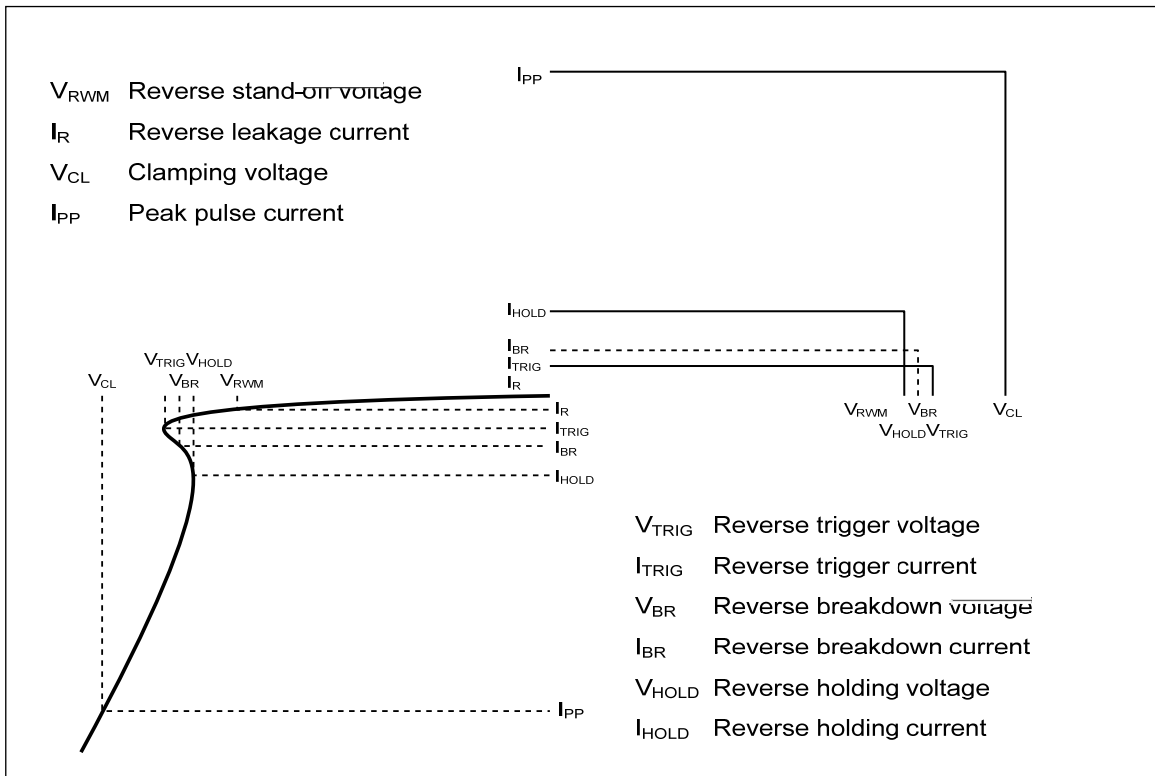




Stand-off voltage:  $\pm 5.5V$  Max  
 Transient protection for each line according to  
 IEC61000-4-2(ESD):  $\pm 30kV$  (contact)  
 IEC61000-4-4 (EFT): 40A (5/50ns)  
 IEC61000-4-5(surge): 10A (8/20 $\mu s$ )  
 Low leakage current  
 Ultra-low capacitance:  $C_J = 25pF$  typ.  
 Low clamping voltage:  
 $V_{CL} = 8.6V$  typ. @  $I_{PP} = 16A$  (TLP)  
 RoHS Compliant  
 Solid-state silicon technology

Cellular handsets  
 Tablets  
 Laptops  
 Other portable devices  
 Network communication devices

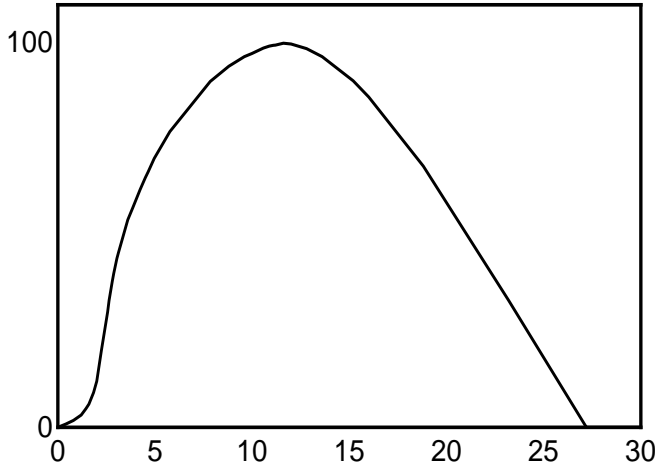
Package: DFN0603-2L  
 Case Material: "Green" Molding Compound  
 Moisture Sensitivity: Level 3 per J-STD-020  
 Marking Information: See Below

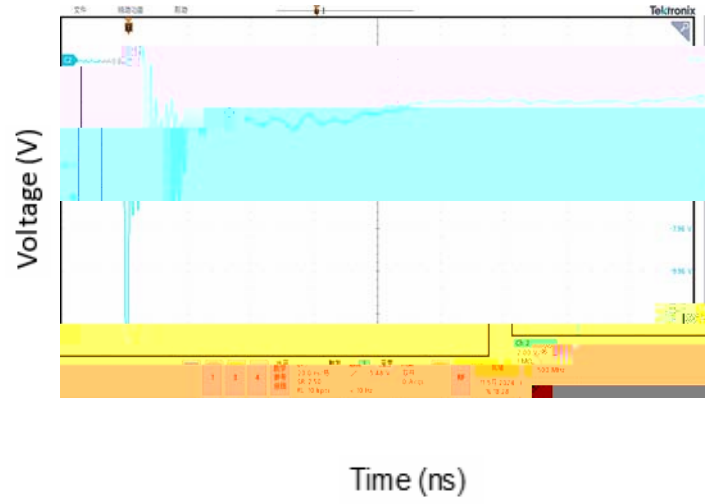
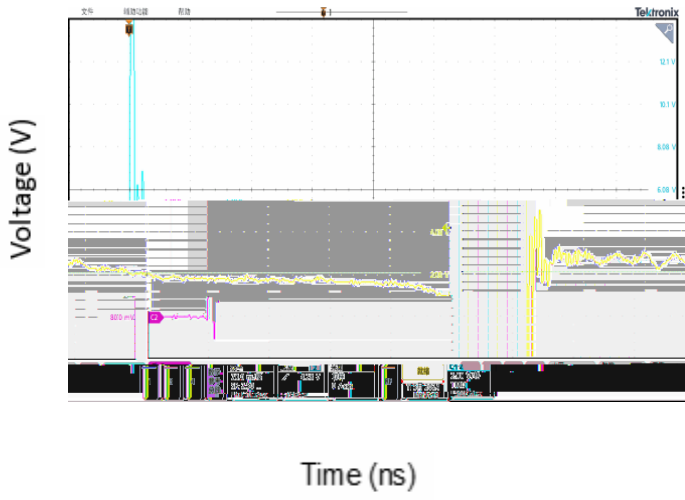


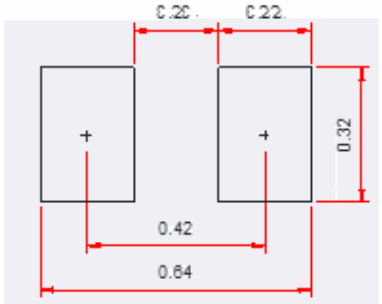
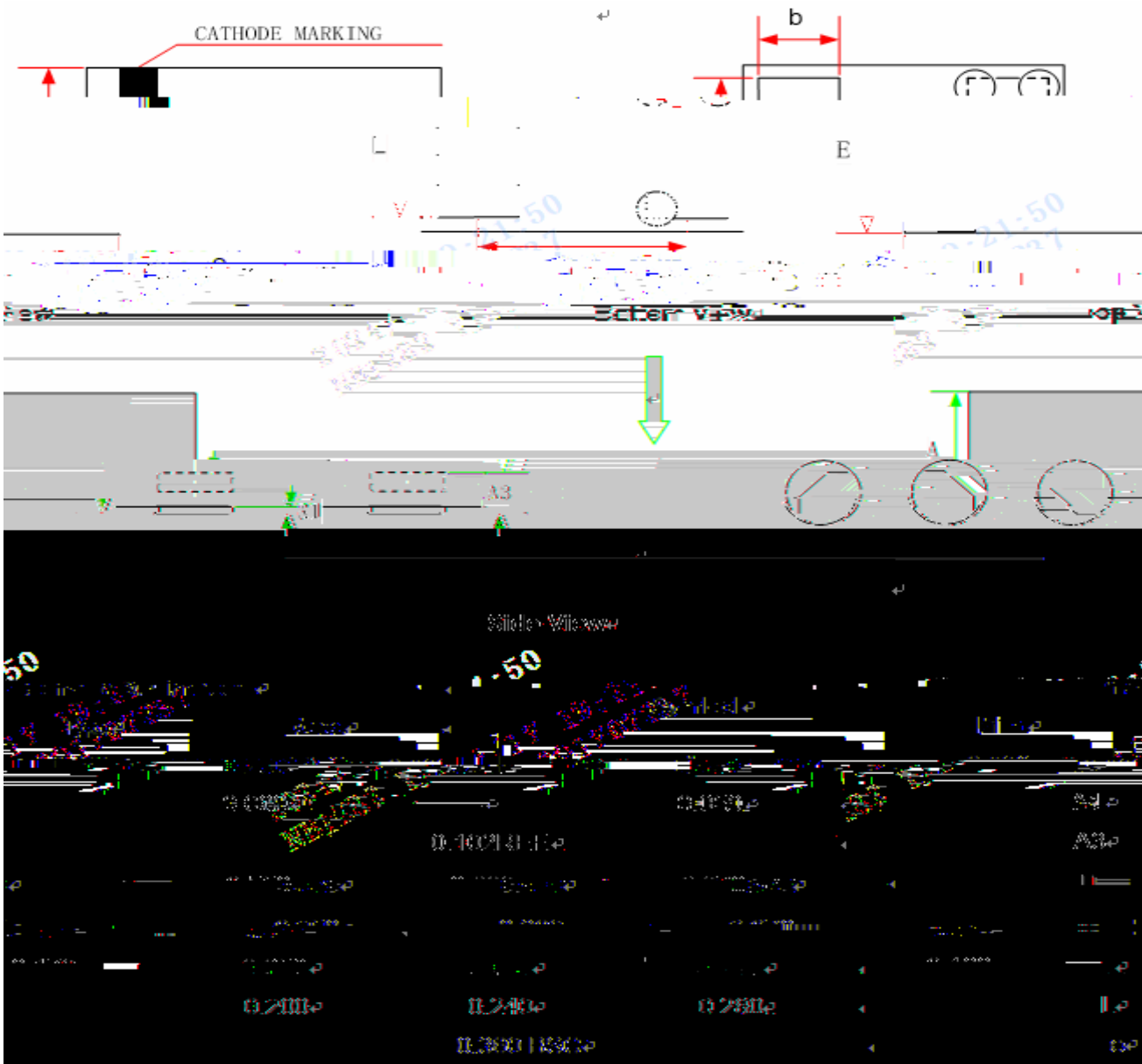


Peak pulse power ( $t_p = 8/20\mu s$ )	$P_{pk}$	140	W
Peak pulse current ( $t_p = 8/20\mu s$ )	$I_{PP}$	10	A
ESD according to IEC61000-4-2 air discharge	$V_{ESD}$	$\pm 30$	kV
ESD according to IEC61000-4-2 contact discharge		$\pm 30$	
Junction temperature	$T_J$	-45~125	$^{\circ}C$
Storage temperature	$T_{STG}$	-55~150	$^{\circ}C$

Reverse maximum working voltage	$V_{RWM}$	V				$\pm 5.5$
Reverse leakage current	$I_R$	$\mu A$	$V_{RWM} = 5.5V$			0.1
Reverse breakdown voltage	$V_{BR}$	V	$I_{BR} = 1mA$	6.8	7.3	
Clamping voltage <sup>1)</sup>	$V_{CL}$	V	$I_{PP} = 16A, t_p = 100ns(TLP)$		8.6	
Dynamic resistance <sup>1)</sup>	$R_{DYN}$				0.17	







fi — j b n t B Y A



The information presented in this document is for reference only. Yangzhou Yangjie Electronic Technology Co., Ltd. reserves the right to make changes without notice to the specification of the products displayed here in order to improve reliability, function, design or otherwise.

The product listed here is designed to be used with ordinary electronic equipment or devices, and not designed to be used with equipment or devices which require a high level of reliability. The malfunction of such equipment could directly endanger human life (such as medical instruments, transportation equipment, aerospace machinery, nuclear-reactor controllers, fuel controllers and other safety-critical devices). Yangjie or anyone who purchases it shall assume liability for any damages resulting from such improper use of sale.

This publication does not constitute an offer of any financial product. For additional information, please visit our website at <http://www.21yangjie.com>, or consult our nearest Yangjie's sales office for further assistance.