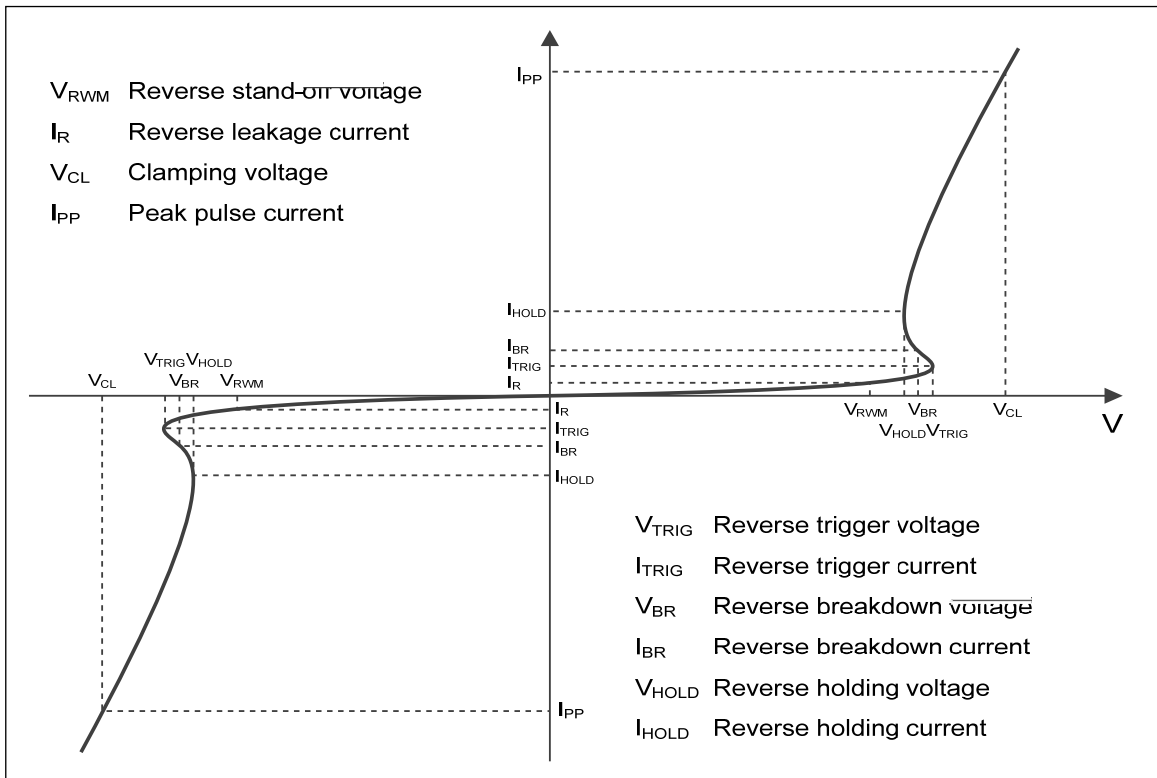




" 6WDQG RII YROWDJH " 9 0D[
 "7UDQVLHQW SURWHFWLRQ IRU HDFK OLC
 ,(& (6' " N9 FRQWDFW
 ,(& ()7 \$ QV
 ,(& VXUJH \$ V
 " FDSDFLWDQFH &- S) W\ S
 "/RZ OHDNDJH FXUUHQW
 "/RZ FODPSLQJ YROWDJH
 9&/ 9 W\ S # ,33 \$ 7/3
 " 6ROLG VWDWH VLOLFRO WHFKQRORJ\

" &HOOXODU KDQGVHVV
 " 7DEOHVV
 " /DSWRSV
 " 2WKHU SRUWDEOH GHYLFHV
 " 1HWZRUN FRPPXQLFDWLRQ GHYLFHV

" 3DFNDJH 62'
 " /HDG)LQLVK 0DWWH 7LQ
 " &DVH 0DWHULDO 3*UHHQ' 0ROGLQJ &R
 " 0RLVWXUH 6HQVLWLYLW\ /HYHO SHU
 " 0DUNL „†,)A'•7€Ãx "" † „ ñ •Dh, „†,)A'•7€Ãx "" †





V

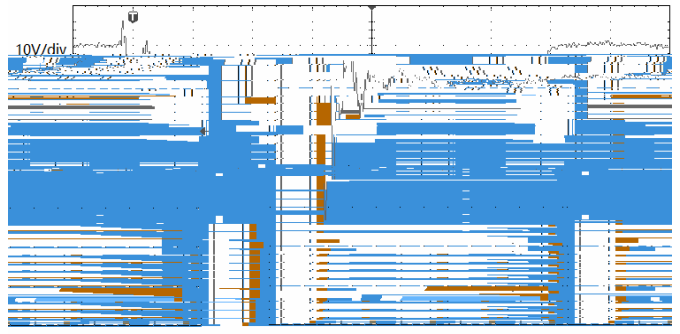
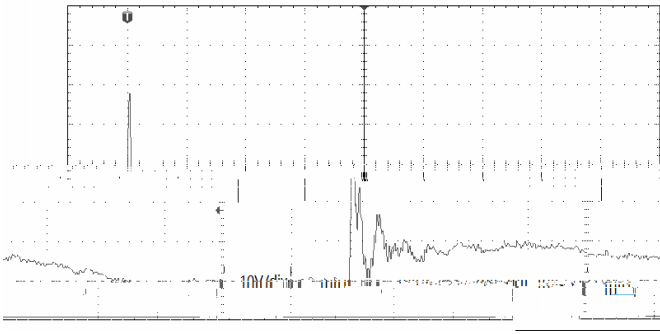
3HDN SXOVH ₅ SRZHU W	3 _{SN}		:
3HDN SXOVH ₅ FXUUHQW W	.33		\$
(6' DFFRUGLQJ WR ,(& DLU GLVFKDUJH	9(6'	"	.9
(6' DFFRUGLQJ WR ,(& FRQWDFW GLVFKDUJH		"	
-XQFWLRQ WHPSHUDWXUH	-	7	R&
6WRUDJH WHPSHUDWXUH	67*	7 a	R&

V

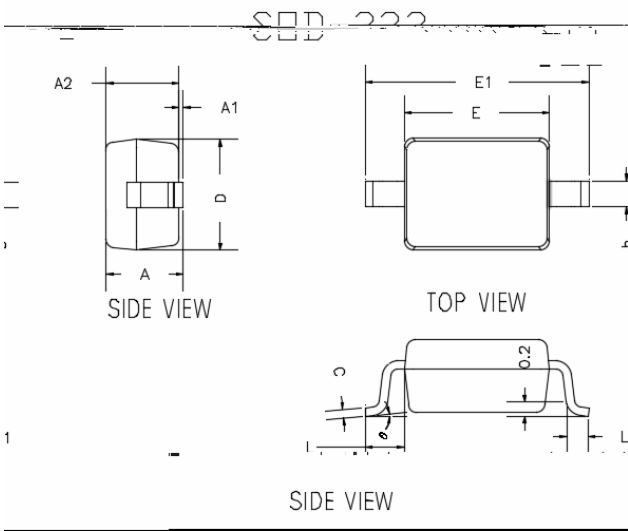
Ä7D 8QOHVV RWKHUÄLVH VSHFLILHG

5HYHUVH PD[LXP ZRUNLQJ YROWD ₅ JH	9	9				"
5HYHUVH OHDNDJH FXUUHQW	5	\$,9.0	9		
5HYHUVH EUHDNGRZQ YROWD ₅ JH 9%5			7	P\$ 9		,

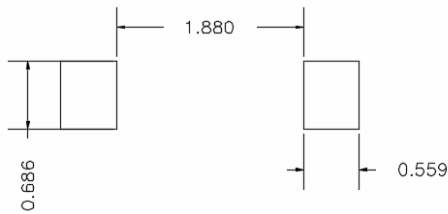
33i p Ä * Ä 0 p € öi€ • L E C { • " Ä à ~ A (2 & rÄ 05 45 0
 &ODPSLQJ YROWD₅JH



V



DIMENSIONS				
DIM	INCHES		MM	
	MIN	MAX	MIN	MAX
A	---	0.0393	---	1.0000
A1	0.0000	0.0039	0.0000	0.1000
A2	0.0314	0.0354	0.8000	0.9000
b	0.0098	0.0157	0.2500	0.4000
c	0.0033	0.0059	0.0800	0.1500
D	0.0472	0.0551	1.2000	1.4000
E	0.0629	0.0709	1.6000	1.8000
E1	0.0984	0.1063	2.5000	2.7000
L	0.0187 TYP		0.475 TYP	
L1	0.0098	0.0157	0.250	0.400
e	0°	8°	0°	8°



UNIT: mm

SUGGESTED SOLDER PAD LAYOUT

1RWHV

7KLV UHFRPPHQGHG ODQG SDWWHUQ LWOHUVUHFHQWCFM SXUSRDXIDQXUJQJ JHVLJQ JXLGHOLQHV DUH PHW



7KH LQIRUPDWLRQ SGRV#QMGHG LQ IRKLV#DQJ#KH#BQJMLH (OHFWURQLF 7HF#KQRO
ULJKW WR PDNH FKDL#FHVRZLWKR#XWS#QRLS#LURDG#XIFRQ/ FGLWSOD\HG KHUHLQ WRGL#FVSLWRQ
RU RWKHUZLVH

7KH SJURGXW@TOLQVM#S UÅH#WALS#KUEPR#S DLE D 7 A P Åh RØ P