

)HDWXUHV

" 6WDQG RII YROWDJH 9 0D[

"7UDQVLHQW SURWHFWLRQ IRU HDFK OLQH

, (& (6' " N9 F±€` `@€Ar "À`ð

9 W\S33# , \$

7/3

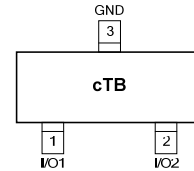
" 6ROLG VWDWH VLOLFRO WHFKQRORJ\

0HFKDQLFDO 'DWD

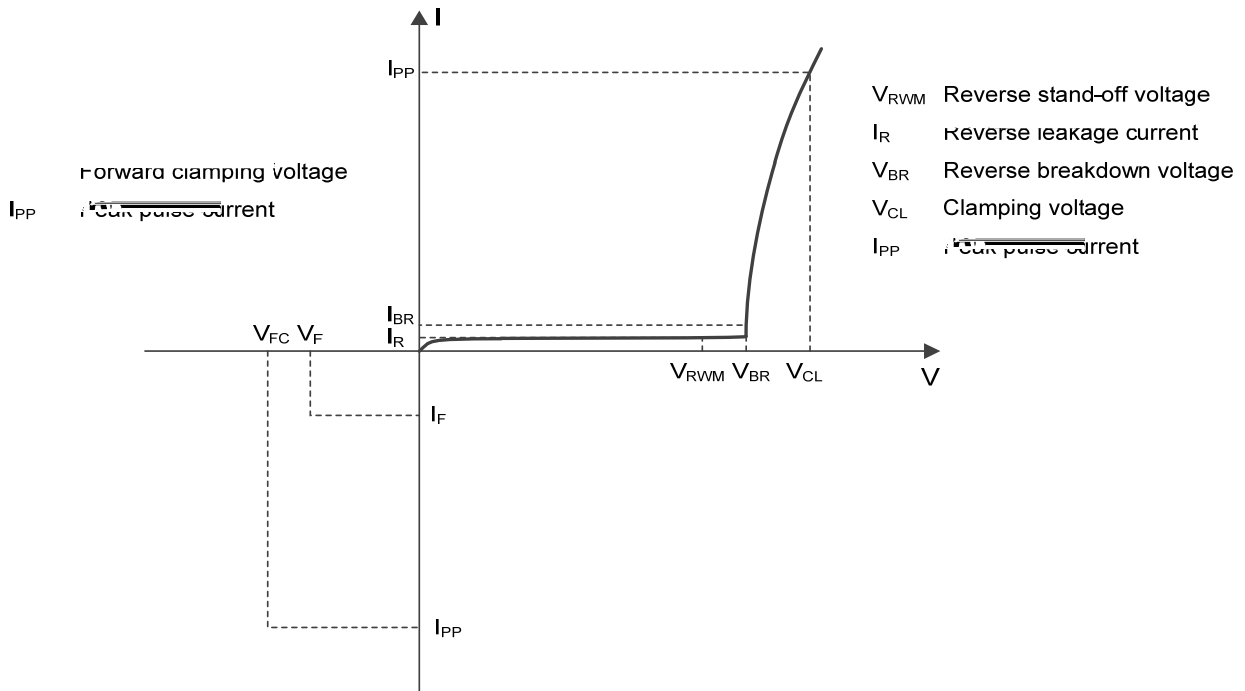
" 3DFNDJH27

" D #A ROD & DWKRGH OLQW KH QDWHKRGH HQG

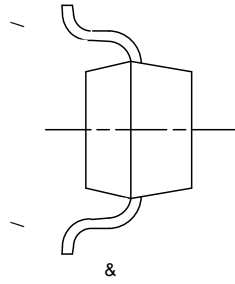
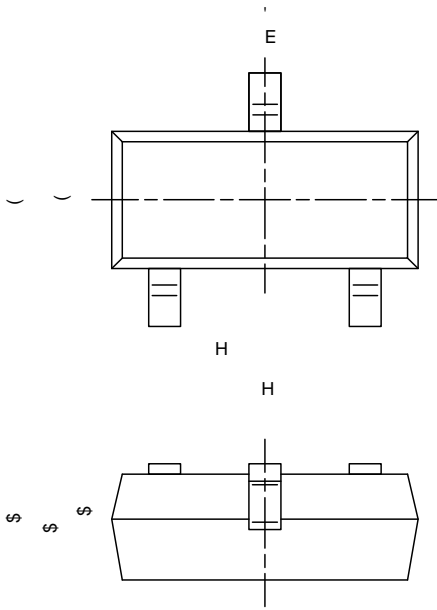
" 0DUNLQJ



V'HILQLWLRQV RI HOHFWULFDO FKDUDFWHULVWLFV



v 2XWOLQH 'LPHQVLRQV



v 6ROGHULQJ)RRWSULQW

^Çu }]u v•}]v•]v u]oo	u š
D]v>	dÇ%oX	D Æ
	ìXõìì r	ìXíñì
í	ìXììì r	ìXíìì
î	ìXõìì r	ìXìñì
	ìXììì r	ìXñìì
	ìXìõìì r	ìXíñì
	îXõììì r	îXììì
	ìXìììì r	ìXõìì
í	îXîñìì r	îXññì
	ìXõñìdzW	
í	ìXõììì r	ìXììì
>	ìXññìZ &	
>í	ìXîììì r	ìXñìì
}	ì£	r ò£

1RWHV
 7KLV UHFRPPHQGHG ODQG SDWWHUQ LWOHRDUHJHFRQVXQFM SXUSRVDQXIDQWXUJ QJ JU
 GHVLJQ JXLGHOLQHV DUH PHW

'LVFODLPHU

7KH LQIRUPDWLRQ SGRF ~~MDMWHG~~ LQ IR ~~WLVH~~ ~~DIHJH~~ ~~KRKH~~ ~~BQJMLH~~ (OHFWURQLF 7HFHQRO
ULJKW WR PDNH FKDLFHHVRZLWKR XWS ~~KRSL~~ ~~ULFRG~~ ~~XIFRQ~~ RGLWSOD\HG KHUHLQ WURGLFVSLWRQ
RU RWKHUZLVH

7KH SURGXFW OLVWHG KHUHLQ LV GHV ~~HW~~ ~~GR~~ ~~FE~~ ~~HTXL~~ ~~IS~~ ~~HZ~~ ~~W~~ ~~KR~~ ~~UR~~ ~~GH~~ ~~LY~~ ~~Q~~ ~~F~~ ~~U~~ ~~V~~ ~~W~~ ~~D~~ ~~Q~~ ~~G~~
HTXLSPHQW RU GHYLFHV ZKLFK UHT ~~GLW~~ ~~K~~ ~~H~~ ~~K~~ ~~P~~ ~~D~~ ~~O~~ ~~O~~ ~~X~~ ~~Q~~ ~~F~~ ~~H~~ ~~O~~ ~~G~~ ~~R~~ ~~Q~~ ~~U~~ ~~R~~ ~~H~~ ~~O~~ ~~E~~ ~~M~~ ~~D~~ ~~N~~ ~~L~~ ~~O~~ ~~R~~ ~~V~~ ~~G~~ ~~D~~ ~~O~~ ~~X~~ ~~F~~ ~~H~~ ~~K~~ ~~D~~ ~~X~~ ~~P~~ ~~D~~
PHGLFDO LQVWUXPH ~~Q~~ ~~W~~ ~~V~~ ~~H~~ ~~T~~ ~~W~~ ~~L~~ ~~S~~ ~~P~~ ~~H~~ ~~C~~ ~~S~~ ~~R~~ ~~U~~ ~~D~~ ~~H~~ ~~U~~ ~~R~~ ~~V~~ ~~S~~ ~~O~~ ~~X~~ ~~F~~ ~~H~~ ~~O~~ ~~F~~ ~~D~~ ~~E~~ ~~K~~ ~~U~~ ~~D~~ ~~F~~ ~~W~~ ~~R~~ ~~L~~ ~~O~~ ~~F~~ ~~R~~ ~~O~~ ~~O~~ ~~V~~ ~~O~~ ~~G~~ ~~R~~ ~~O~~ ~~H~~ ~~U~~ ~~V~~ ~~I~~
GHYLFHV <DQJMLH RU DQ\ RQH RQ LW\OE\WK DQJ OLVEX\PHLW\QR U\H\G\SR\Q\Y\E\B\J\K\V\H\U\H\V
RI VDOH

7KLV SXEOLFDWLRQ ~~IS~~ ~~OX~~ ~~SH~~ ~~H~~ ~~U~~ ~~D~~ ~~G~~ ~~O~~ ~~V~~ ~~L~~ ~~Q~~ ~~U~~ ~~R~~ ~~O~~ ~~P~~ ~~D~~ ~~X~~ ~~S~~ ~~L~~ ~~S~~ ~~Q~~ ~~I~~ ~~S~~ ~~G~~ ~~H~~ ~~Y~~ ~~R~~ ~~U~~ ~~X~~ ~~D~~ ~~G~~ ~~G~~ ~~L~~ ~~W~~ ~~R~~ ~~Q~~ ~~D~~ ~~O~~ ~~L~~ ~~Q~~ ~~W~~ ~~R~~ ~~H~~ ~~U~~ ~~P~~ ~~D~~ ~~W~~ ~~L~~ ~~R~~
KW ~~V~~ ~~S~~ ~~Z~~ \DQJMLHRRRPRQVXOW\RXU QHDUHVW <DQJMLH\H\Y\Q\F\H\O\H\V RILFH IRU IXUW